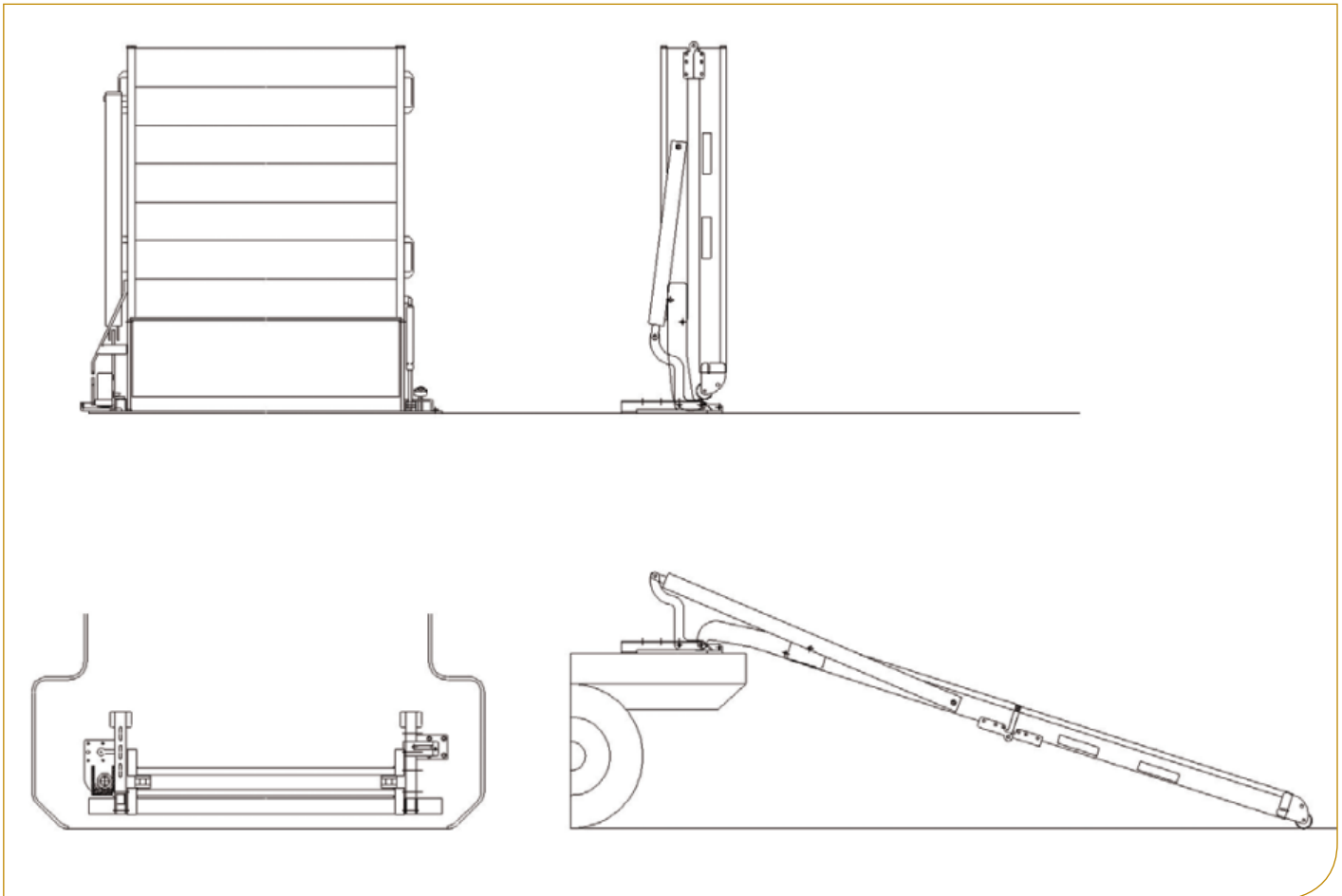


Automotive

FOLDING LOADING CHUTE



TECHNICAL DETAILS

Side edges	none
Maximum load capacity	400 kg
Length	from 2.0 to 3.0 m
Width	from 800 to 1000 mm

MODEL	LOAD CAPACITY	LENGTH	USEFUL WIDTH	WEIGHT
	kg	mm	mm	kg
CL 9 AL. 001	400	2000	800	40
CL 9 AL. 003	400	2500	800	50
CL 9 AL. 007	400	3000	800	60
CL 9 AL. 031	400	2000	1000	46
CL 9 AL. 033	400	2500	1000	54
CL 9 AL. 037	400	3000	1000	62

Additional kit of assembly for ramps installation on second vehicle