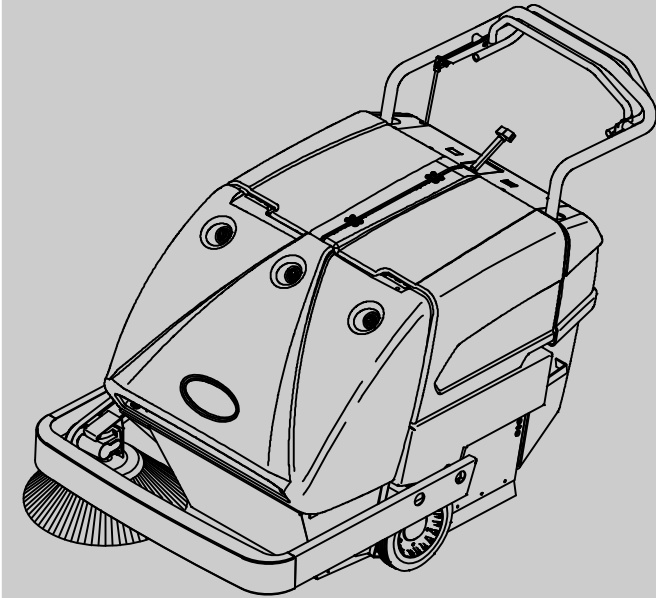
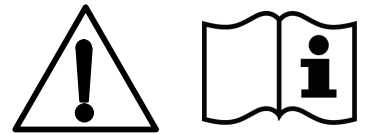




S10

(Battery)

Sweeper
English **EN**
Operator Manual



CE



For the latest parts manual or other language operator manual, visit:

www.tennantco.com/manuals

9007293
Rev. 04 (8-2015)



This manual is furnished with each new model. It provides necessary operation and maintenance instructions.



Read this manual completely and understand the machine before operating or servicing it.

This machine will provide excellent service. However, the best results will be obtained at minimum costs if:

- The machine is operated with reasonable care.
- The machine is maintained regularly - per the machine maintenance instructions provided.
- The machine is maintained with manufacturer supplied or equivalent parts.



PROTECT THE ENVIRONMENT

Please dispose of packaging materials, old machine components and fluids in an environmentally safe way according to local waste disposal regulations.



Always remember to recycle.

MACHINE DATA

Please fill out at time of installation for future reference.

Model No. – _____

Serial No. – _____

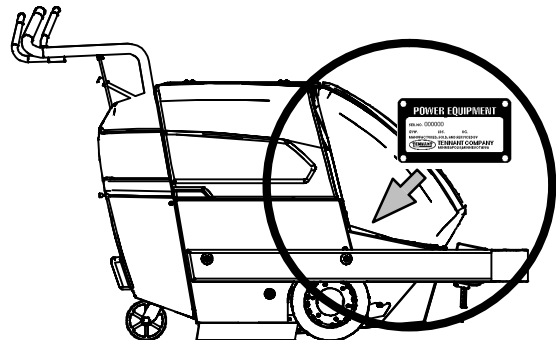
Machine Options – _____

Sales Rep. – _____

Sales Rep. phone no. – _____

Customer Number – _____

Installation Date – _____



Tennant N.V.

Industrielaan 6 5405 AB

P.O. Box 6 5400 AA Uden–The Netherlands

europe@tennantco.com

www.tennantco.com

Specifications and parts are subject to change without notice.

Original instructions, copyright © 2010, 2015 TENNANT Company, Printed in The Netherlands. All rights reserved



TENNANT N.V.

Industrielaan 6 5405 AB
P.O. Box 6 5400 AA
Uden – The Netherlands
Uden, 21-05-2010



DECLARATION OF CONFORMITY FOR MACHINERY

(according to Annex II A of the Machinery Directive)

Herewith declares, on our own responsibility, that the machinery

S10

- is in conformity with the provisions of the Machinery Directive (2006/42/EC), as amended and with national implementing legislation
- is in conformity with the provisions of the Electro Magnetic Compatibility Directive 2004/108/EC
- is in conformity with the provisions concerning noise emission for outdoor use (Directive 2000/14/CE) and with national implementing legislation

and that

- the following harmonized standards or parts of these standards have been applied: EN ISO 14121-1, EN 1037, EN 60335-1, EN 60204-1, EN ISO 13849-1, EN ISO 13849-2, EN 60529, EN ISO 4413, EN 349, EN 55012, EN 61000-6-2, EN ISO 11201, EN ISO 4871, EN ISO 3744*, EN ISO 13059*, EN ISO 3450, EN 60335-2-72.
- the following national standards or parts of these standards have been used:

CONTENTS

	Page		Page
SAFETY PRECAUTIONS	2	MAINTENANCE	16
OPERATION	4	MAINTENANCE CHART	16
MACHINE COMPONENTS	4	BATTERIES	17
SYMBOL DEFINITIONS	5	LEAD ACID BATTERIES	17
CONTROLS AND INSTRUMENTS	6	CHARGING BATTERIES	18
OPERATION OF CONTROLS	7	BRUSHES	20
PROPEL CONTROL HANDLES	7	MAIN BRUSH	20
FILTER SHAKER OVERRIDE SWITCH ..	7	REMOVING THE MAIN BRUSH	20
BATTERY CHARGE INDICATOR	8	INSTALLING THE MAIN BRUSH	20
BATTERY CHARGER PANEL	8	SIDE BRUSH	21
HOUR METER	9	REMOVING THE SIDE BRUSH	21
MAIN BRUSH LEVER	9	INSTALLING THE SIDE BRUSH	21
SIDE BRUSH ARM	10	THERMO-SENTRY	21
PARKING BRAKE LEVER	10	DUST FILTER	22
CIRCUIT BREAKERS AND FUSES	11	REMOVING THE DUST FILTER	22
BRUSH INFORMATION	11	INSTALLING THE DUST FILTER	22
MACHINE OPERATION	12	SKIRTS AND SEALS	23
PRE-OPERATION CHECKLIST	12	HOPPER LIP SKIRT	23
OPERATION ON GRADES	12	REAR BRUSH SKIRTS	23
SWEEPING	12	HOPPER TOP SEAL	23
EMPTYING THE HOPPER	13	MAIN BRUSH SKIRTS AND SEALS	23
REMOVING THE HOPPER	14	TRANSPORTING AND STORING	
MACHINE TROUBLESHOOTING	15	THE MACHINE	24
		TRANSPORTING THE MACHINE	24
		STORING MACHINE	24
		SPECIFICATIONS	25
		GENERAL MACHINE DIMENSIONS/	
		CAPACITIES	25
		GENERAL MACHINE PERFORMANCE ..	25
		MACHINE DIMENSIONS	26

SAFETY PRECAUTIONS

The following symbols are used throughout this manual as indicated in their description:



WARNING: To warn of hazards or unsafe practices that could result in severe personal injury or death.

FOR SAFETY: To identify actions that must be followed for safe operation of equipment.

The following information signals potentially dangerous conditions to the operator or equipment. Read this manual carefully. Know when these conditions can exist. Locate all safety devices on the machine. Then, take necessary steps to train machine operating personnel. Report machine damage or faulty operation immediately. Do not use the machine if it is not in proper operating condition.



WARNING: Batteries emit hydrogen gas. Explosion or fire can result. Keep sparks and open flame away. Keep covers open when charging.



WARNING: Disconnect battery cables and charger plug before servicing machine. Do not charge batteries with damaged power supply cord. Do not modify plug.

If the charger supply cord is damaged or broken, it must be replaced by the manufacturer or its service agent or a similarly qualified person in order to avoid a hazard.



WARNING: Heavy hopper. Do not remove without help. Can cause back strain.

This machine is not equipped with explosion proof motors. The electric motors will spark upon start up and during operation which could cause a flash fire or explosion if machine is used in an area where flammable vapors/liquids or combustible dusts are present.

FOR SAFETY:

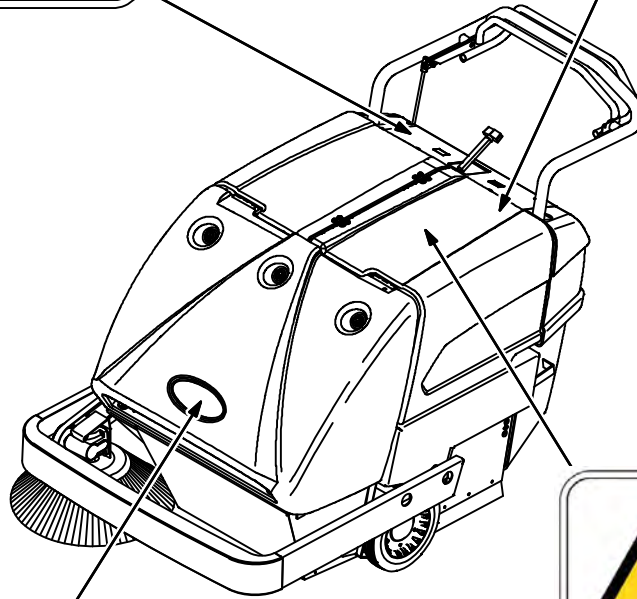
1. **Do Not Operate Machine:**
 - Unless Trained And Authorized.
 - Unless Operation Manual Is Read And Understood.
 - In Flammable Or Explosive Areas Unless Designed For Use In Those Areas.
 - Do Not Pick Up Flammable Or Toxic Material, Burning Or Smoking Debris, Or Hazardous Dust
2. **Before Starting Machine:**
 - Make Sure All Safety Devices Are In Place And Operate Properly.
3. **When Using Machine:**
 - Go Slow On Grades And Slippery Surfaces.
 - Use Care When Backing Machine.
 - Do Not Operate On Inclines That Exceed 8.75% (5°) With A Full Hopper, Never Operate On Inclines That Exceed 12.2% (7°)
4. **Before Leaving Or Servicing Machine:**
 - Stop On Level Surface.
 - Set Parking Brake.
 - Turn Off Machine And Remove Key.
5. **When Servicing Machine:**
 - Avoid Moving Parts. Do Not Wear Loose Jackets, Shirts, Or Sleeves When Working On Machine.
 - Use Hoist Or Jack Of Adequate Capacity To Lift Machine.
 - Wear Eye And Ear Protection When Using Pressurized Air Or Water.
 - Disconnect Battery Connections Before Working On Machine.
 - Avoid Contact With Battery Acid.
 - Use TENNANT Supplied Or Equivalent Replacement Parts.
6. **When loading/unloading machine onto/off truck or trailer.**
 - Turn off machine.
 - Use truck or trailer that will support the weight of the machine.
 - Block machine tires.
 - Tie machine down to truck or trailer.

The following safety decals are mounted on the machine in the locations indicated. If these, or any decal becomes damaged or illegible, install a new decal in its place.

**FOR SAFETY LABEL –
LOCATED ON THE
CONTROL PANEL.**



**CHARGER CORD LABEL –
LOCATED NEAR CHARGER.**



**BACK STRAIN LABEL –
LOCATED ON THE TOP
OF THE HOPPER.**



**BATTERY CHARGING LABEL –
LOCATED ON THE LEFT SIDE
PANEL.**

MACHINE COMPONENTS



- A. Filter Cover
- B. Left Access Cover
- C. Parking Brake Lever
- D. Hopper
- E. Side Brush
- F. Side Brush Arm
- G. Right Access Cover
- H. Instrument Panel

SYMBOL DEFINITIONS

The symbols are used to identify controls and displays on the machine:



Filter Shaker



Main Brush Free-Float



Main Brush Down



Main Brush Up



Main Brush Adjust



Circuit Breaker



Circuit Breaker



Hour Meter



Battery Charge Indicator



Electric Key Switch



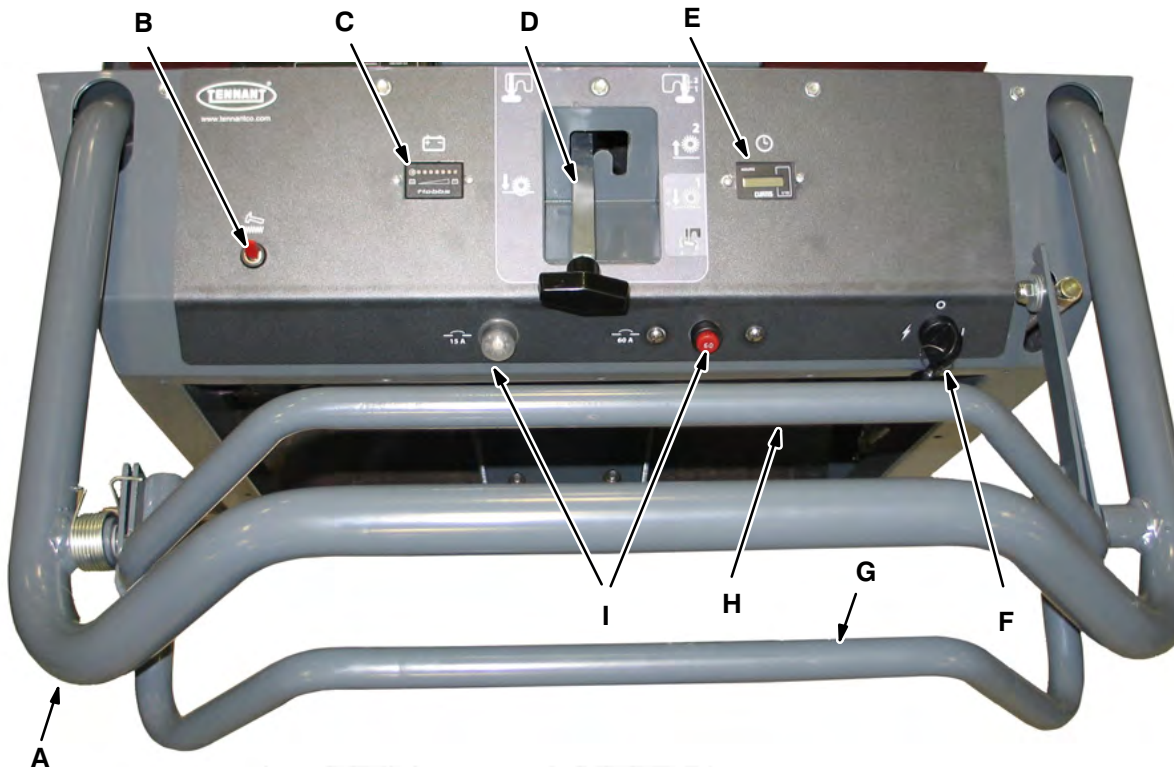
Key Switch Off



Key Switch On

OPERATION

CONTROLS AND INSTRUMENTS

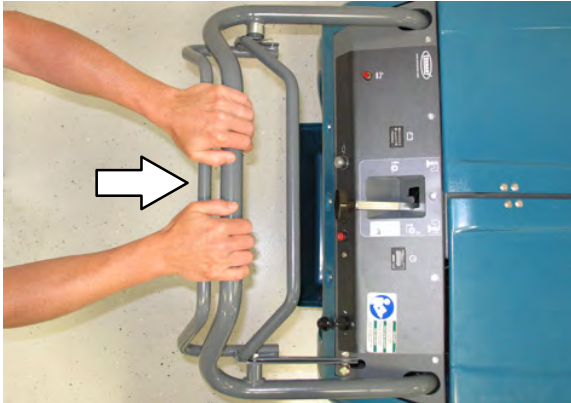


- A. Stationary Handle
- B. Filter Shaker Override Switch
- C. Battery Charge Indicator
- D. Main Brush Lever
- E. Hour Meter
- F. On-Off Key Switch
- G. Forward Propel Handle
- H. Reverse Propel Handle
- I. Circuit Breakers
- J. Charger Panel

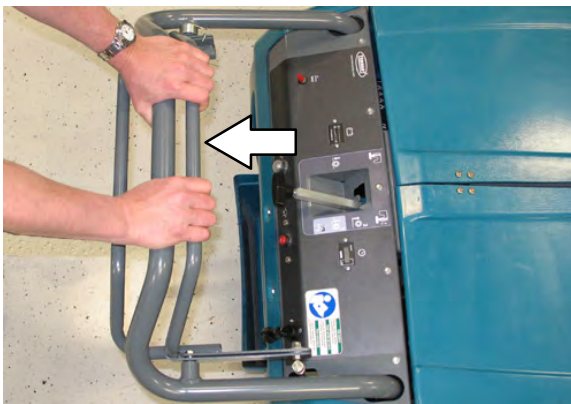
OPERATION OF CONTROLS**PROPEL CONTROL HANDLES**

The propel control handles control the direction of the machine.

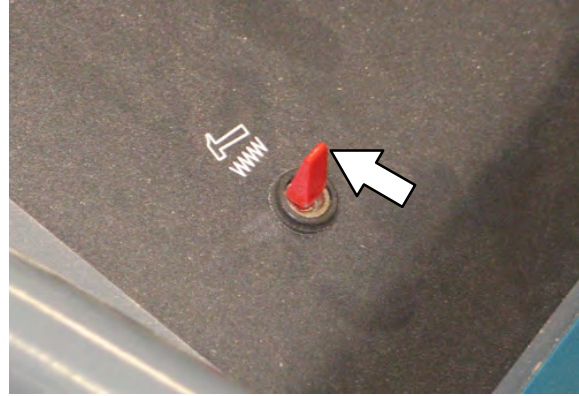
To move the machine forward, wrap the fingers around the stationary handle, then press the palms of the hand against the propel handle. To stop the machine, release the handle.



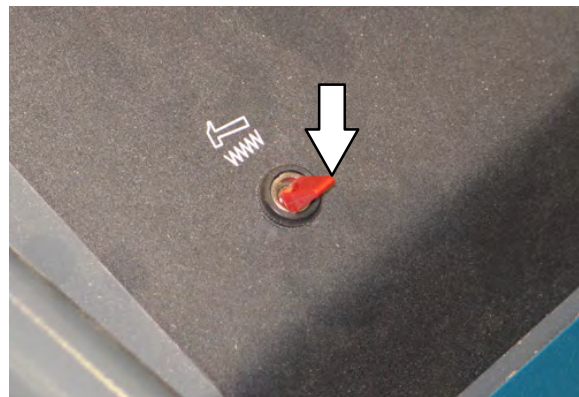
To move the machine backward, squeeze the reverse propel handle. To stop the machine, release the handle.

**FILTER SHAKER OVERRIDE SWITCH**

The filter shaker override switch enables the automatic filter shaker. When the switch is in the "on" position, the filter shaker motor will shake the dust from the filter for 20 seconds when the machine is turned off. The switch should be in the "on" position during normal operation.



When the switch is in the "off" position, the filter shaker motor will not operate when the machine is turned off. The switch should be in the "off" position when servicing the machine.

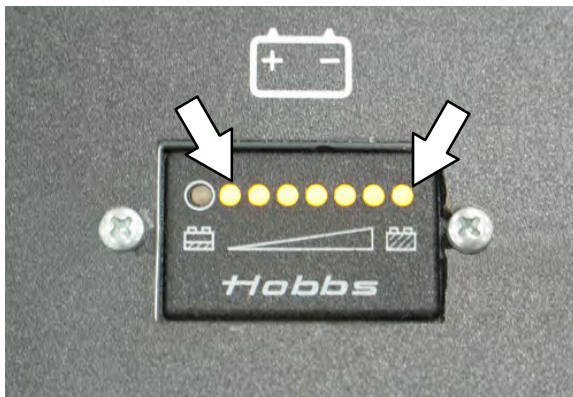


OPERATION

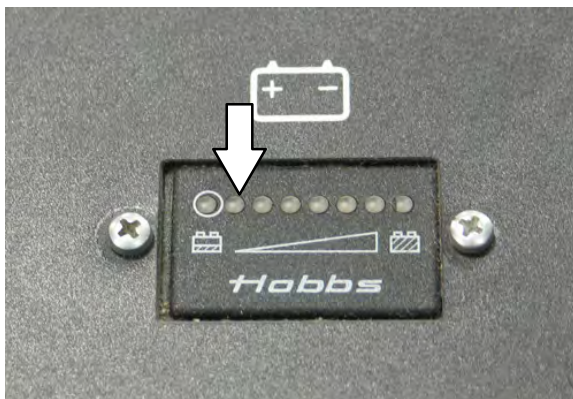
BATTERY CHARGE INDICATOR

The *battery discharge indicator* shows the charge level of the batteries.

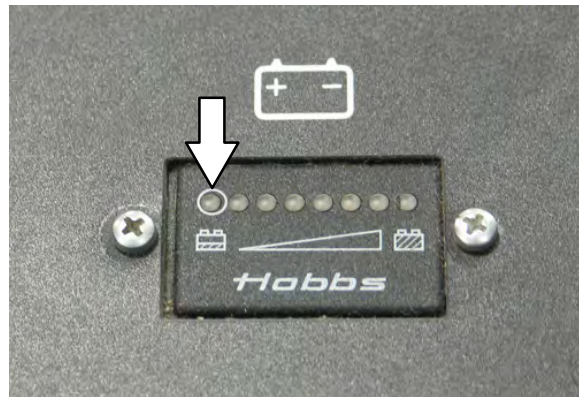
When the batteries are fully charged, all seven lights are lit.



As the batteries discharge, the lights go out until only the left light is blinking. Sweeping functions will continue. Recharge the batteries when only the left light is blinking.



When the red light lights up, the machine will completely shut down.



NOTE: Do not charge batteries more often than necessary. Excessive charging could reduce the life of the batteries. It is best to charge the batteries only when the left light indicates that the battery needs charging. See BATTERIES in the MAINTENANCE section.

NOTE: The blinking left battery discharge light will not reset from blinking until the batteries are fully charged.

BATTERY CHARGER PANEL

The battery charger panel shows the status of charging after the charger has been plugged into a wall outlet.



HOUR METER

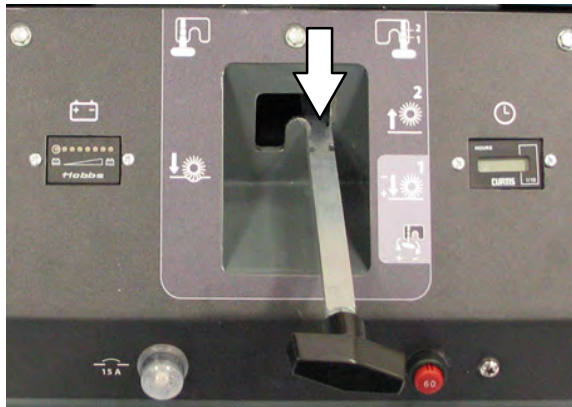
The hour meter records the number of hours the machine has operated. This information is useful in determining when to service the machine.



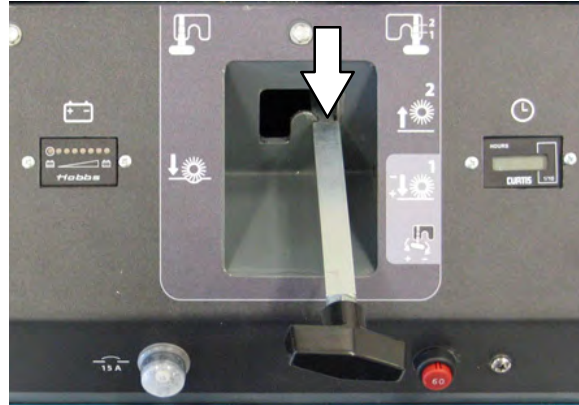
MAIN BRUSH LEVER

The main brush lever controls the position of the main brush.

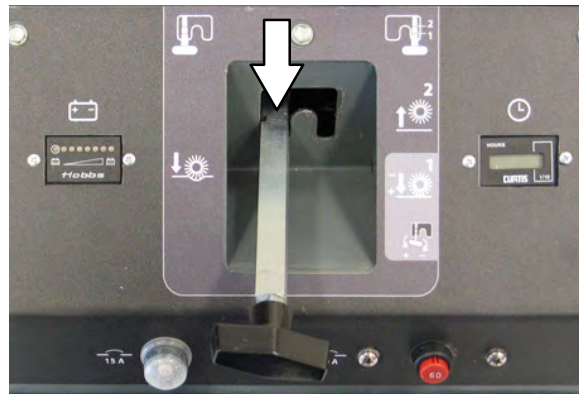
Main brush up position: Pull the lever up and lock the bottom notch of the lever into the Main Brush Up position.



Main brush down position: (Smooth even floors) Push the lever forward and then pull it back and lock the top notch in the lever in the Main Brush Down position.



Main brush free-float position: (Uneven floors) Push the lever forward and then to the left and release it in the Main Brush Free-Float position.



When parking the machine, always raise the brush to prevent the bristles from taking a set.

OPERATION

SIDE BRUSH ARM

The side brush arm controls the position of the side brush.

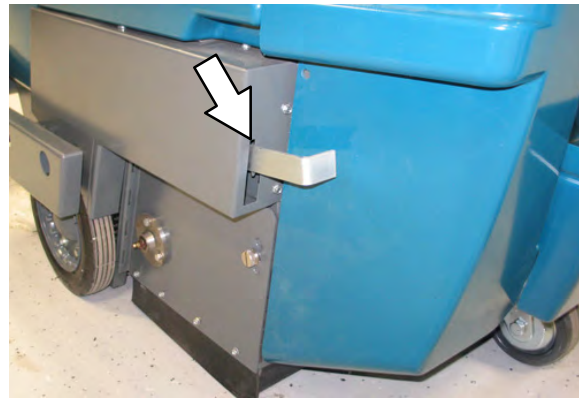
To raise the side brush, pull the lift arm up and push it back into the raised position. To lower the side brush, pull the arm forward and release it into the down position.



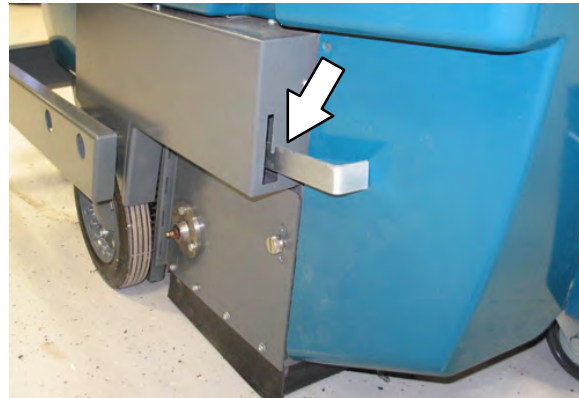
When parking the machine, always raise the brush to prevent the brush bristles from taking a set.

PARKING BRAKE LEVER

To set the parking brake, step on the lever and release it into the long notch on the left.

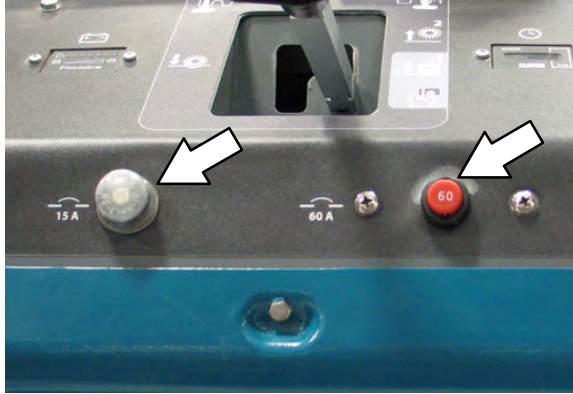


To release the parking brake, step on the lever and release it into the short notch on the right.



CIRCUIT BREAKERS AND FUSES

Circuit breakers are resettable electrical circuit protection devices that stop the flow of current in the event of a circuit overload. Once a circuit breaker has tripped, allow breaker to cool and then press the reset button to manually reset the breaker.



The *fuse* is a one-time protection device designed to stop the flow of current in the event of a circuit overload. The 15 A fuse is located behind the hopper on the main frame.

NOTE: Always replace the fuse with a fuse of the same type and amperage.

The following chart shows the various circuit breakers and fuses and the electrical components they protect.

PROTECTIVE DEVICE PROTECTED	RATING	CIRCUIT
CB-1	15 A	Shaker Motor
CB-2	60 A	Main Drive (Propel) Motor
FU-1	15 A	Control Power

BRUSH INFORMATION

For best results, use the correct brush type for the cleaning application. Listed below are the brushes and the applications for which each is best suited.

NOTE: The amount and type of soilage play an important role in determining the type of brushes to use. Contact a Tennant representative for specific recommendations.

Nylon 6-Double Row Main Brush – Recommended for general sweeping, and has good hopper loading. Nylon has the longest life of the bristle types. Use this brush for sweeping rough or irregular surfaces.

Polypropylene 6-Double Row Main Brush – Superior pick-up of sand, gravel, and paper litter. Polypropylene retains its stiffness when wet and can be used indoors or outdoors with equal performance. Not recommended for high-temperature debris.

Fiber and Wire 6-Row Main Brush – Offers good sweeping action and pickup in heavy dust concentrations. This brush is recommended where soilage is slightly encrusted. The brush is not recommended for heavy buildup or hard packed soilage.

Natural Fiber 18-Row Main Brush – The natural choice for cleaning fine debris on carpet and sweeping very heavy dust and other fine particles on hard surfaces.

OPERATION

MACHINE OPERATION

PRE-OPERATION CHECKLIST

- Check the battery charge level.
- Check the hopper lip skirt for damage and wear.
- Check the hopper seal for damage and wear.
- Check the dust filter for damage.
- Check the condition of the main brush. Remove any string, banding, plastic wrap, or other debris wrapped around the brush.
- Check the main brush and rear brush skirts for damage, wear, and clearance.
- Side Brush Option: Check the condition of the side brush. Remove any string, banding, plastic wrap, or other debris wrapped around the brush.
- Check the service records to determine maintenance requirements.

OPERATION ON GRADES

Drive the machine slowly on grades. The maximum rated climb angle is 7° or 12.2%.

FOR SAFETY: When Using Machine; Go Slow On Grades And Slippery Surfaces.

SWEEPING

Plan the sweeping in advance. Try to arrange long runs with minimum stopping and starting. Overlap brush paths. Sweep as straight a path as possible. Avoid bumping into posts or scraping the sides of the sweeper. Sweep debris from very narrow aisles into main aisles ahead of time. Do an entire floor or section at one time.

Pick up oversize debris before sweeping. Pick up pieces of wire, twine, or string, which could become entangled in brush or brush plugs.

1. Turn the on-off switch key to the on position.



2. Release the machine parking brake, if equipped.
3. Move the main brush lever into the (Main Brush Down) or (Main Brush Free-Float) position.
4. Move the side brush arm into the down position.
5. Sweep as required.
6. Raise the main brush and side brush.

- Turn the on-off switch key to the left.
Remove the key from the on-off switch.



FOR SAFETY: Before leaving or servicing machine; stop on level surface, set parking brake, and turn off machine.

EMPTYING THE HOPPER

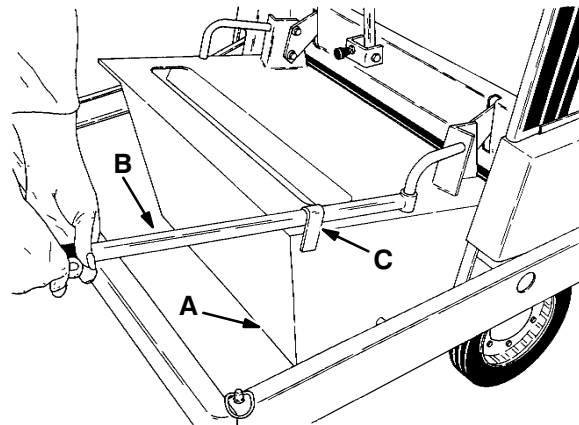
- Pull the main brush lever into the (Main Brush Up) position.
- Pull the side brush arm into the raised position.
- Slowly drive the machine up to the dump site. Turn off the machine. The filter will operate for approximately 20 seconds.

NOTE: The filter shaker override switch must be in the "on" position to automatically shake the dust filter when the machine is turned off.

FOR SAFETY: Before leaving or servicing machine; stop on level surface, set parking brake, and turn off machine.

- Lift the filter cover.

- Swing the dump lever (B) under the hook (C); Lift the dump lever to dump the hopper (A).



03142

- A. Hopper
- B. Dump Lever
- C. Lever Hook

- Engage the lever hook (not shown) to keep the hopper in the "dump" position.
- Slowly back the machine away from the dump site or remove the hopper from the machine to empty the contents from the hopper.

NOTE: See REMOVING THE HOPPER in the following section if it is necessary to remove the hopper from the machine to empty the hopper.

- Release the lever hook (not shown), lower the hopper, and return the dump lever to its storage location.
- Lower the filter cover.

OPERATION

REMOVING THE HOPPER

1. Pull the main brush lever into the (Main Brush Up) position.
2. Pull the side brush arm into the raised position.
3. Turn off the machine. The filter will operate for approximately 20 seconds.

NOTE: The filter shaker override switch must be in the "on" position to automatically shake the dust filter when the machine is turned off.

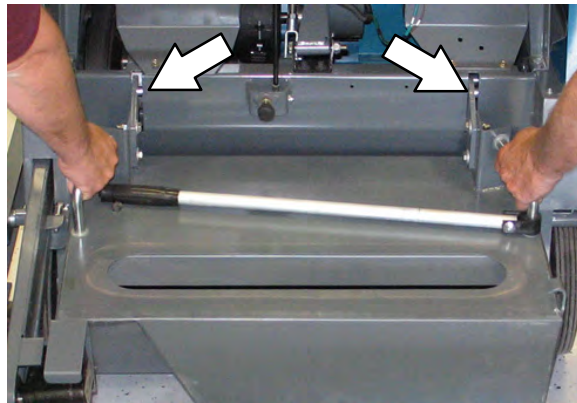
FOR SAFETY: Before leaving or servicing machine; stop on level surface, set parking brake, and turn off machine.

4. Lift the filter cover.
5. Seek assistance to remove the hopper from the machine. Lift the hopper out of the machine.



! **WARNING: Heavy hopper. Do not remove without help. Can cause back strain.**

6. Reinstall the hopper into the machine. Make sure the hooks on hopper are completely installed onto the machine.



7. Close the filter cover.

MACHINE TROUBLESHOOTING

Problem	Cause	Remedy
Excessive dusting	Dust skirts and seals worn, damaged, not adjusted properly	Replace or adjust skirts or seals
	Dust filter clogged	Shake and/or clean or replace filter
	Vacuum hose damaged	Replace vacuum hose
	Vacuum fan belt slipping or broken	Adjust or replace belt
Poor sweeping performance	Brush bristles worn	Replace brushes
	Brushes not adjusted properly	Adjust brushes
	Brushes not installed properly	Reinstall brushes
	Debris caught in brush drive mechanism	Free mechanism of debris
	Hopper full	Empty hopper
	Hopper floor skirts worn, damaged	Replace skirts
	Brush belt slipping, or broken	Replace belt
Battery charger not operating	Charger not plugged into electrical receptacle	Plug charger into electrical receptacle
	Charger cord not completely plugged into bottom of charger	Replug charger cord into charger
	Charger cord is damaged	Replace charger cord

MAINTENANCE



MAINTENANCE CHART

Interval	Key	Description	Procedure	Lubricant/ Fluid	No. of Service Points
Daily	1	Brush skirts	Check for damage, wear, and floor clearance	-	5
	2	Main brush	Check for damage, wear, debris	-	1
	3	Side brush	Check for damage, wear, debris	-	1
	4	Hopper	Check seals for damage and wear	-	3
Weekly	5	Battery cells	Check electrolyte level	DW	2

LUBRICANT/FLUID

DW – Distilled water

BATTERIES

FOR SAFETY: Before leaving or servicing machine, stop on level surface, turn off machine, set parking brake (if equipped), and remove key.

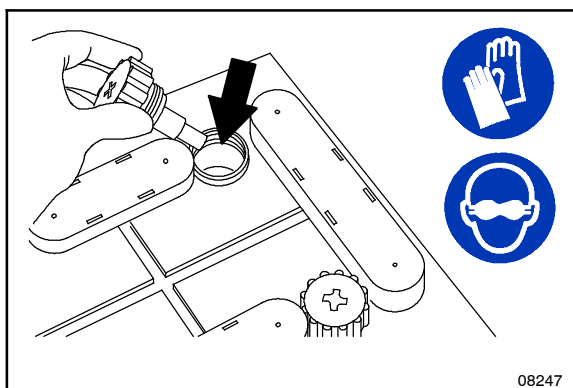
The lifetime of the batteries depends on their proper maintenance. To get the most life from the batteries;

- Do not charge the batteries more than once a day and only after running the machine for a minimum of 15 minutes.
- Do not leave the batteries partially discharged for long period of time.
- Only charge the batteries in a well-ventilated area to prevent gas build up. Charge batteries in areas with ambient temperatures 27°C (80°F) or less.
- Allow the charger to complete charging the batteries before re-using the machine.
- Maintain the proper electrolyte levels of flooded (wet) batteries by checking levels weekly.

CHECKING THE ELECTROLYTE LEVEL

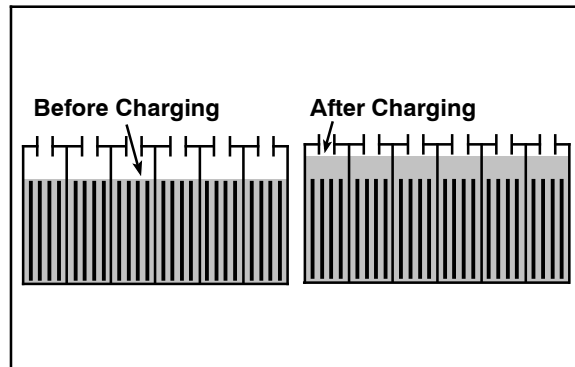
The flooded (wet) lead- acid batteries require routine maintenance as described below. Check the battery electrolyte level weekly.

NOTE: Do Not check the electrolyte level if the machine is equipped with the battery watering system. Proceed to the BATTERY WATERING SYSTEM (OPTION).



FOR SAFETY: When servicing machine, keep all metal objects off batteries. Avoid contact with battery acid.

The level should be slightly above the battery plates as shown before charging. Add distilled water if low. **DO NOT OVERFILL.** The electrolyte will expand and may overflow when charging. After charging, distilled water can be added up to about 3 mm (0.12 in) below the sight tubes.



NOTE: Make sure the battery caps are in place while charging. There may be a sulfur smell after charging batteries. This is normal.

MAINTENANCE-FREE BATTERIES

Maintenance-free batteries do not require watering. Cleaning and other routine maintenance is still required.

MAINTENANCE

CHARGING BATTERIES

The following charging instructions are intended for battery chargers supplied with the machine.

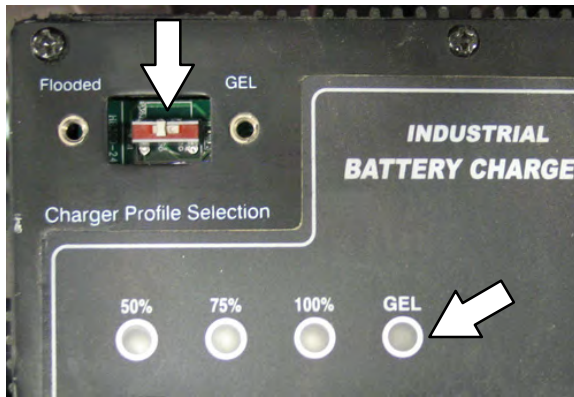
To prolong the life of the batteries only recharge the batteries if the machine was used for a total of 30 minutes or more. Do not leave batteries discharged for lengthy periods.

⚠ WARNING: Fire Or Explosion Hazard. Batteries emit hydrogen gas. Keep sparks and open flame away. Keep battery compartment open when charging.

FOR SAFETY: When servicing batteries, wear protective gloves and eye protection when handling batteries and battery cables. Avoid contact with battery acid.

Make sure the charger profile is properly set for the battery type before charging. Failure to properly set profile will result in battery damage. To determine the battery type, see battery label. Contact the battery supplier if not specified.

To verify the charger profile setting, connect the charger cord into an electrical receptacle. If the LED labeled “GEL” is on, the charger is set for Gel (sealed) batteries. If the LED is off, the charger is set for Wet/lead acid (flooded) batteries.

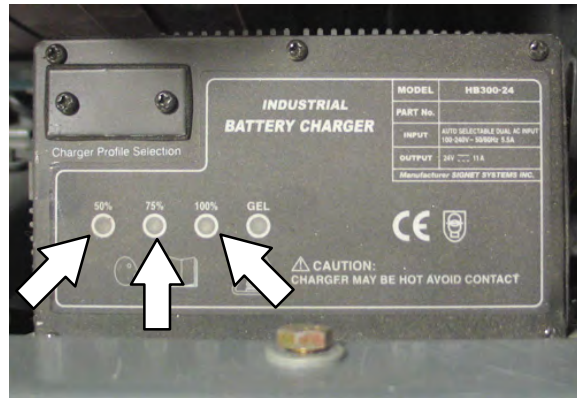


To change the charger profile, unplug the charger, remove the “Charger Profile Selection” panel, and position the switch towards the proper setting, “GEL” or “Flooded” .

1. Transport the machine to a well-ventilated area for charging.

FOR SAFETY: Before leaving or servicing machine; stop on level surface, set parking brake, and turn off machine.

2. If charging wet (lead acid) batteries check the fluid level before charging (See BATTERY MAINTENANCE).
3. Remove the battery compartment covers for ventilation when charging.
4. Connect the charger cord into a properly grounded electrical receptacle. The charger will start automatically within a few seconds. The LEDs will display the charging state as described in the following table.



CHARGING STATE LED DISPLAY			
Charging State	50% LED	75% LED	100% LED
0–50% charged	Blinking	Off	Off
50–75% charged	On	Blinking	Off
75–100% charged	On	On	Blinking
100% charged	On	On	On
Abnormal Cycle*	Off	Off	Blinking
Fault detected *	Blinking	Blinking	Blinking

* See the On-board Battery Charger Fault Codes table. When a fault occurs, the charger will also sound an alarm.

NOTE: The machine will not operate once the battery charger is connected.

5. Once the batteries are fully charged, the charger will stop supplying power, but will continue to monitor the battery voltage. The charger will restart if the batteries self-discharge.

NOTE: The charger may take up to 30 seconds to turn off once the charger cord is disconnected. During this time, the machine will not power up. The charger cord must also be disconnected for 30 seconds before the charger can be restarted.

6. Unplug the charger cord.

NOTE: To avoid damaging the charger cord, do not pull on the cord to unplug the charger from the electrical receptacle. Use the plug to unplug the cord from the electrical receptacle.

7. Reinstall the battery compartment covers.

LED FAULT CODE	FAULT	SOLUTION
3 LEDs blink once repeatedly	Loose charger cable connection.	Check charger cable connection.
	Loose or damaged battery cable.	Check battery cable connections.
	Defective Battery.	Replace battery.
3 LEDs blink twice repeatedly	Input voltage is out of range.	Try using a different wall outlet.
3 LEDs blink three times repeatedly	Safety thermostat exceeded maximum internal temperature.	Open battery compartment to promote air circulation or move machine to a cooler climate.
3 LEDs blink four times repeatedly	Output current exceeds a limit.	Disconnect charger cord, wait 30 seconds, then plug back in. If fault continues replace charger or contact TENNANT Service.
100% LED blinks while the 50% and 75% LEDs are off.	Abnormal cycle. Safety timer exceeded the 18 hour charging time.	Battery maintenance required or replace battery.

BRUSHES

MAIN BRUSH

Inspect the main brush daily for wear or damage. Remove any string or wire tangled on the main brush, the main brush drive hub, or the main brush idler hub.

REMOVING THE MAIN BRUSH

FOR SAFETY: Before leaving or servicing machine; stop on level surface, set parking brake, and turn off machine.

1. Place the main brush lift handle in the (Main Brush Free-Float) position.
2. Open the main brush access door (D).
3. Pull the brush out of the brush compartment.

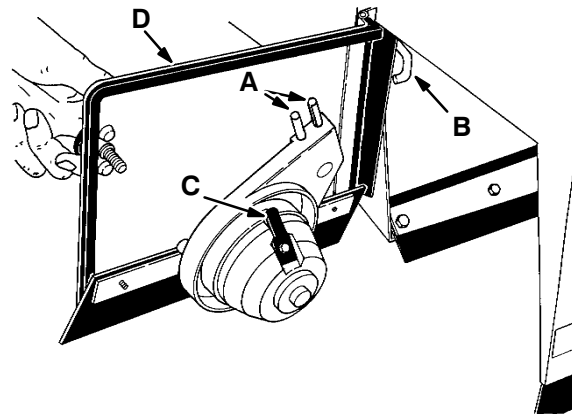
INSTALLING THE MAIN BRUSH

NOTE: The hopper can be removed to aid installing the main brush into the machine. See REMOVING THE HOPPER in the OPERATION section for proper procedure for removing the hopper.

1. Slide the brush into the brush compartment.
2. Rotate the brush until the slots on the ends of the brush engage the keys on the main brush drive hub (not shown).

NOTE: Do not force the main brush onto the drive hub. When the main brush slots and drive hub keys are properly aligned, the main brush will easily engage the drive hub.

3. Close and secure the main brush access door (D). **Make sure the lift arm (B) engages the idler lift arm pins (A).**



- A. Lift Arm Pins
- B. Lift Arm
- C. Idler Key
- D. Access Door

02347

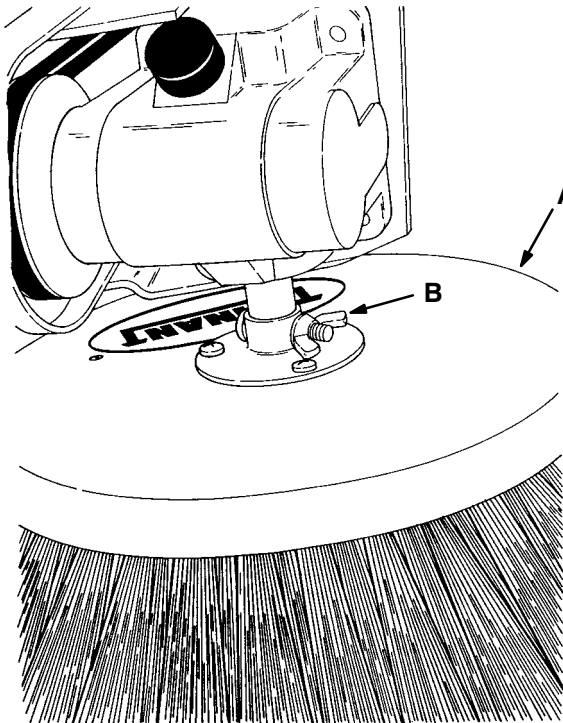
SIDE BRUSH

The side brush should be inspected daily for wear or damage. Remove any string or wire tangled from the side brush, side brush drive hub, or shaft. The side brush should be replaced when the remaining bristle length measures 25 mm (1 in) in length.

REMOVING THE SIDE BRUSH

FOR SAFETY: Before leaving or servicing machine; stop on level surface, set parking brake, and turn off machine.

1. Pull the side brush arm up into the raised position.
2. Remove the side brush mounting hardware (B).



A. Side Brush
B. Mounting Hardware

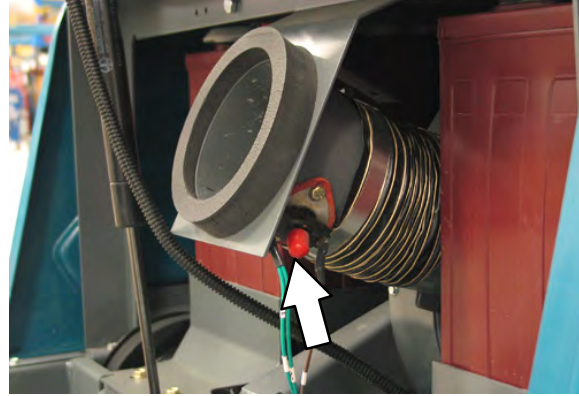
3. Slide the side brush (A) off the drive shaft.

INSTALLING THE SIDE BRUSH

1. Slide the side brush (A) onto the drive shaft.
2. Secure the side brush (A) with the mounting hardware (B).

THERMO-SENTRY

The Thermo-Sentry, located inside the hopper, senses the temperature of the air pulled up from the hopper. If there is a fire in the hopper, the Thermo-Sentry stops the vacuum fan and cuts off the air flow. Press the button to reset the Thermo-Sentry.



DUST FILTER

The dust filter is located inside the dust filter compartment. The filter shaker will shake the filter for 20 seconds when the machine is powered off. Inspect and clean or replace the dust filter after every 100 hours of operation.

NOTE: The filter shaker override switch must be in the "on" position to automatically shake the dust filter when the machine is turned off. The filter shaker override switch should be in the "on" position for most operations.

Use one of the following methods to clean the dust filter:

- TAP – Tap the filter gently on a flat surface with the dirty side down. Do not damage the edges of the filter element or the filter will not seat properly in the filter frame.
- AIR – Blow compressed air, 240 kPa (35 psi) maximum, through the dust filter opposite the direction of the arrows on the side of the filter. This may be done with the filter in the machine. Always wear eye protection when using compressed air.

FOR SAFETY: When servicing machine, wear eye and ear protection when using pressurized air or water.

REMOVING THE DUST FILTER

FOR SAFETY: Before leaving or servicing machine; stop on level surface, set parking brake, and turn off machine.

1. Loosen the six front filter cover screws and remove the front filter cover.
2. Remove the filter hold-down plate. Remove the dust filter.



3. Inspect and clean or replace the dust filter.

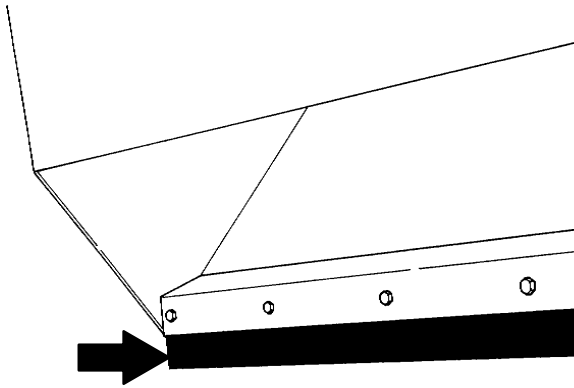
INSTALLING THE DUST FILTER

1. Position the dust filter in the filter frame with the arrows on the side of the filter pointing away from the machine.
2. Position the filter hold-down plate on the filter.
3. Secure the front filter cover on the filter frame with the six front filter cover screws.

SKIRTS AND SEALS

HOPPER LIP SKIRT

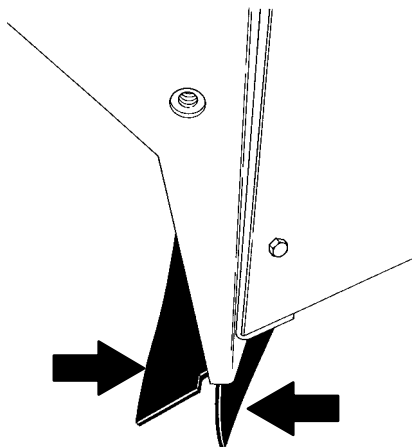
The hopper lip skirt is located on the lower rear of the hopper. The hopper lip skirt should be inspected for wear or damage daily.



02348

REAR BRUSH SKIRTS

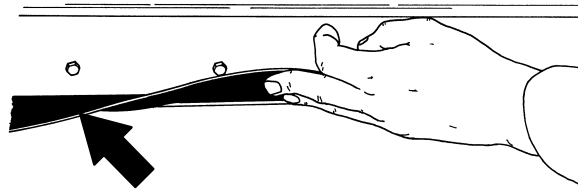
The rear brush skirts are located on the bottom rear of the brush compartment. The rear brush skirts should clear the floor by 2 mm (0.06 in). Inspect the skirt for wear or damage and proper floor clearance daily.



03157

HOPPER TOP SEAL

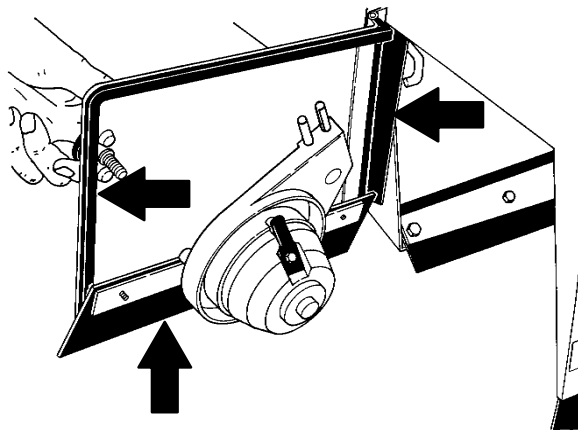
The hopper top seal is located on the front edge of the machine frame. Inspect the seal for wear or damage daily.



02349

MAIN BRUSH SKIRTS AND SEALS

The right side seal (not shown) is mounted to the machine frame. The left side seal is mounted to the main brush access door. The main brush door seal is mounted to the door. Inspect the seals for damage and wear daily. The main brush skirts should clear the floor by 2 mm (0.06 in). Inspect the skirts for damage and wear and proper floor clearance daily.



02347

TRANSPORTING AND STORING THE MACHINE

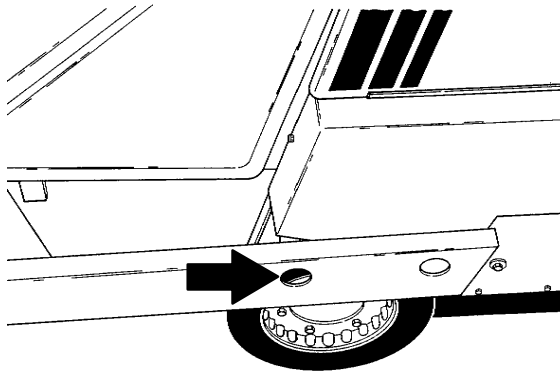
TRANSPORTING THE MACHINE

1. Position the front of the machine at the loading edge of the truck or trailer.

FOR SAFETY: Use Truck Or Trailer That Will Support The Weight Of The Machine.

NOTE: Empty the hopper before transporting the machine.

2. Block the machine tires. Tie down the machine to the truck or trailer before transporting.
3. Secure the front of the machine by routing straps through the tie down holes and fastening it to the truck or trailer.



03136

4. Secure the rear of the machine by wrapping straps around the stationary handle and fastening them to the truck or trailer.

STORING MACHINE

When storing the machine for extended periods of time, the following procedures must be followed to lessen the chance of rust, sludge, or other undesirable deposits from forming.

1. Empty debris hopper.
2. Raise the main brush and side brush.
3. To prolong life of the batteries, leave charger plugged into the outlet. Be sure to remove the covers from the battery compartment.

⚠ WARNING: Fire Or Explosion Hazard. Batteries emit hydrogen gas. Keep sparks and open flame away. Keep battery compartment open when charging.

4. Park the machine in a cool, dry area.

ATTENTION: Do not expose machine to rain, store indoors.

SPECIFICATIONS

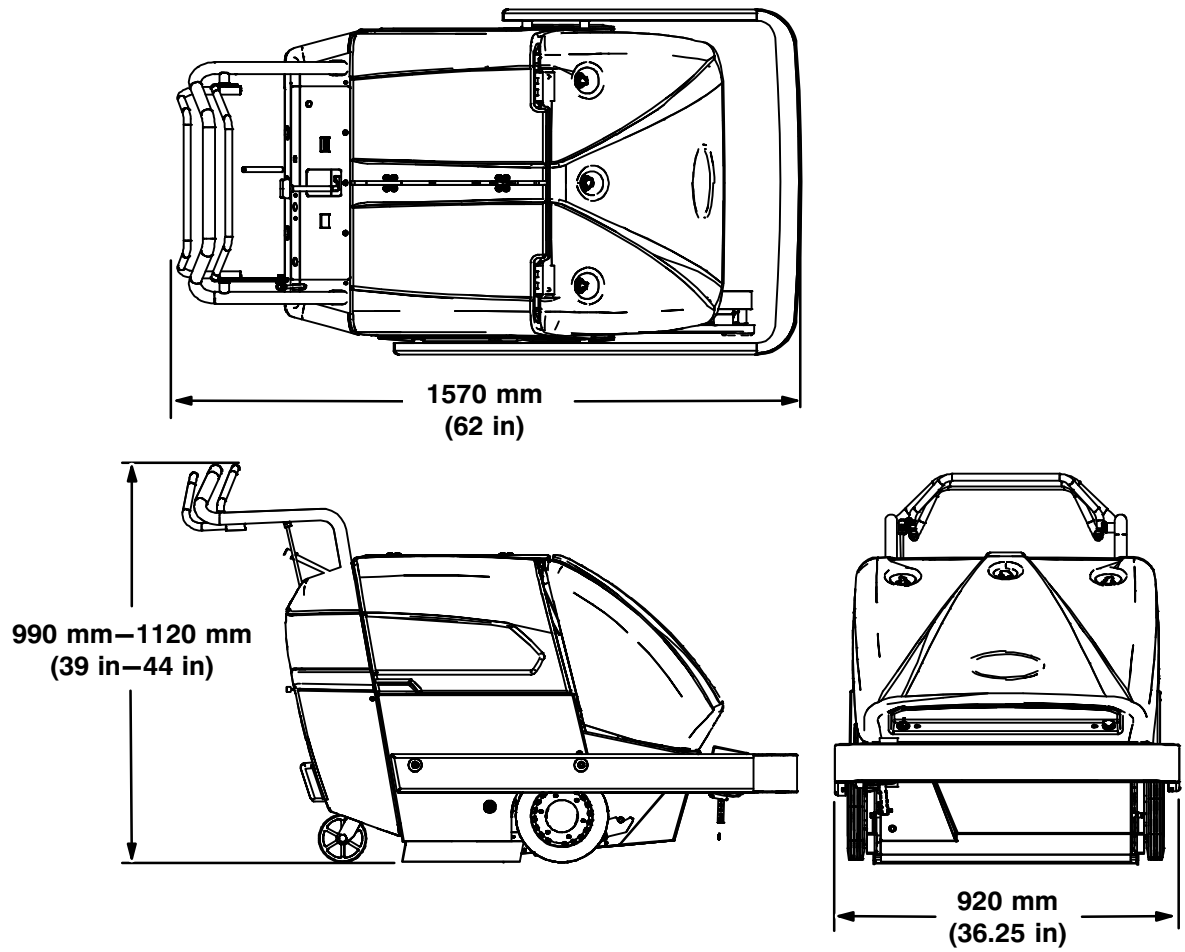
GENERAL MACHINE DIMENSIONS/CAPACITIES

Item	Dimension/capacity
Length	1570 mm (62 in)
Height (maximum)	990 mm–1120 mm (39 in–44 in)
Width (with out side brush)	920 mm (36.25 in)
Sweeping path width (with side brush)	860 mm (34 in)
Hopper volume capacity	0.08 m ³ (2.8 cu ft)
Hopper weight capacity	68 kg (150 lb)
GVWR	345 kg (760 lb)
Operating sound level at operator ear	76 dB(A)
Vibration level at propel control handles	2.5 m/s ²

GENERAL MACHINE PERFORMANCE

Item	Measure
Turning radius	1730 mm (68 in)
Travel speed forward (maximum)	4.7 Km/h (2.9 mph)
Travel speed reverse (maximum)	4.5 Km/h (2.8 mph)
Maximum rated climb angle	8°/14%
Maximum rated descent angle	6°/10.5%

MACHINE DIMENSIONS



03131