

230 kg	120 kg	120/230 kg	L1	L2	W1	W2	W3
12500 mm	13500 mm	7000 mm	5091 mm	6469 mm	4538 mm	3661 mm	2744 mm

BI-ENERGY
Diesel+AC



TSJ 27/C		27 m	13,5 m	230 kg	175°	540°	180x70 cm	90°+80°	5-2,86 m	26%	40%	1,7 km/h	4580 kg	29 kN	2,20 kN/m ²	3,95 kN/m ²	980/1300 mm	6120 mm	1990 mm
TSJ 27/R		27 m	13,5 m	230 kg	175°	540°	180x70 cm	90°+80°	5-2,86 m	26%	25%	1,3 km/h	4700 kg	29 kN	2,26 kN/m ²	3,95 kN/m ²	980 mm	6470 mm	1850 mm



Battery type



Battery charge



Add. Weight



Autonomy



Charging time

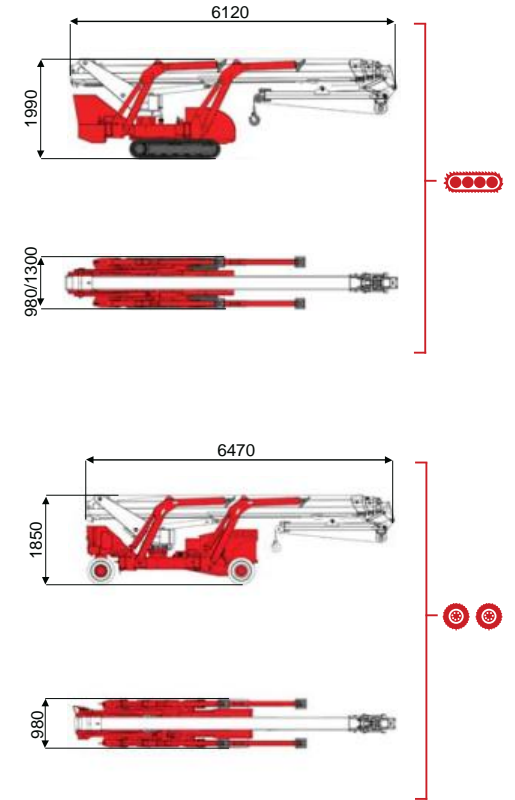
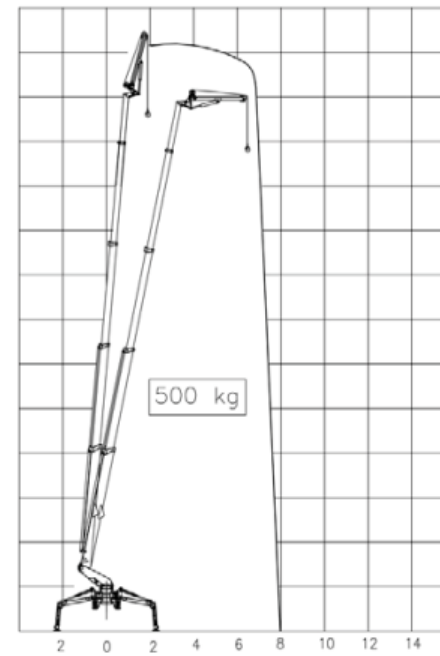
Electropump

ECO	DC+AC		48V 320 A/h 5h	230V-48V 45A	450 kg	6-7 h endless	7h	48V 12 kW
ECO	DC+AC		48V 270 A/h 5h	230V-48V 45A	400 kg	6-7 h endless	7h	48V 9 kW
HYBRID	Diesel+DC		24V 240 A/h 5h	230V-24V 35A	200 kg	2-3 h endless	7h	24VD 3 kW

Characteristics and technical data are informative only and subjected to change without notice.



25,5 m ↑
8 m →
500 Kg ⚙️



BI-ENERGY
Diesel+AC



TSJ 27/C		25,5 m	8 m	500 kg	540°	5 m	26%	40%	1,7 km/h	4580 kg	29 kN	2,20 kN/m ²	3,95 kN/m ²	980/1300 mm	6120 mm	1990 mm
TSJ 27/R		25,5 m	8 m	500 kg	540°	5 m	26%	25%	1,3 km/h	4700 kg	29 kN	2,26 kN/m ²	3,95 kN/m ²	980 mm	6470 mm	1850 mm



			Battery type	Battery charge	Add. Weight	Autonomy	Charging time	Electropump
ECO	DC+AC		48V 320 A/h 5h	230V-48V 45A	450 kg	6-7 h endless	7h	48V 12 kW
ECO	DC+AC		48V 270 A/h 5h	230V-48V 45A	400 kg	6-7 h endless	7h	48V 9 kW
HYBRID	Diesel+DC		24V 240 A/h 5h	230V-24V 35A	200 kg	2-3 h endless	7h	24VD 3 kW

Characteristics and technical data are informative only and subjected to change without notice.