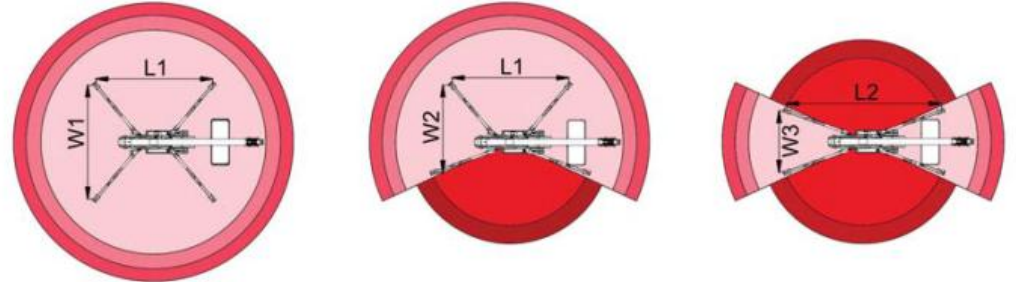
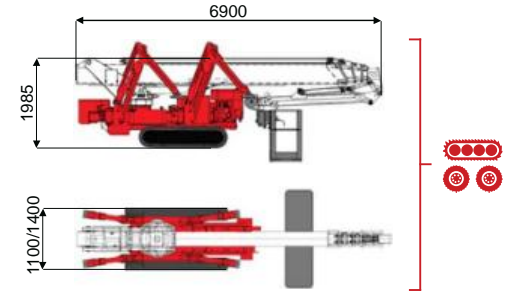
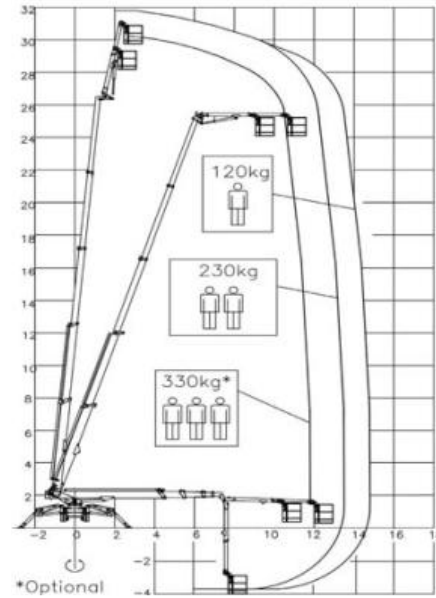




32 m ↑  
14,5 m →  
330 Kg 👤👤👤



12000 mm	13500 mm	14500 mm	7400 mm	10500 mm	L1	L2	W1	W2	W3
330 kg	250 kg	120 kg	330 kg	120/230 kg	5113 mm	6445 mm	4743 mm	3781 mm	2823 mm

BI-ENERGY  
Diesel+AC



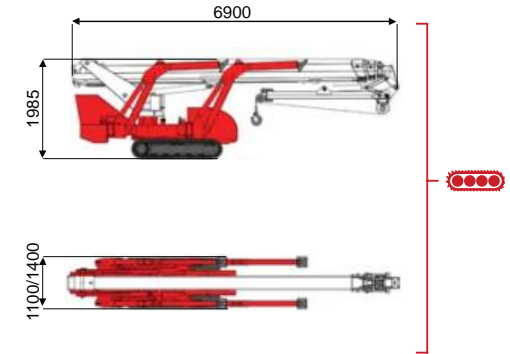
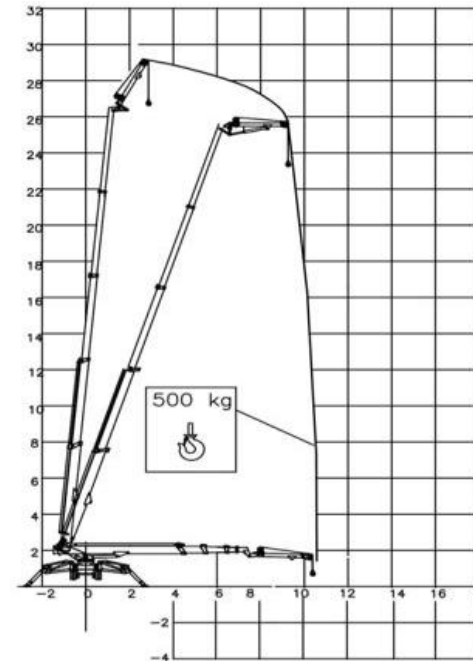
XTJ 32/C-R 32 m 14,5 m 330 kg 175° 540° 180x70 cm 90°+80° 2,8-4,7 m 15% 40% 3,0 km/h 5940 kg 35 kN 2,62 kN/m² 4,53 kN/m² 1100/1400 mm 6900 mm 1985 mm

	Battery type	Battery charge	Add. Weight	Autonomy	Charging time	Electropump	
ECO	DC+AC	48V 320 A/h 5h	230V-48V 45A	450 kg	6-7 h endless	7h	48V 12 kW
ECO	DC+AC	48V 270 A/h 5h	230V-48V 45A	400 kg	6-7 h endless	7h	48V 9 kW
HYBRID	Diesel+DC	24V 240 A/h 5h	230V-24V 35A	200 kg	2-3 h endless	7h	24V 3 kW

Characteristics and technical data are informative only and subjected to change without notice.



28,5 m ↑  
10,5 m →  
500 Kg ⚙️



BI-ENERGY  
Diesel+AC



XTJ 32/C-R



28,5 m

10,5 m

500 kg

540°

4,7 m

15%

40%

3,0 km/h

5940 kg

35 kN

2,62 kN/m<sup>2</sup>

4,53 kN/m<sup>2</sup>

1100/1400 mm

6900 mm

1985 mm



Battery type



Battery charge



Add. Weight



Autonomy



Charging time

Electropump

ECO	DC+AC		48V 320 A/h 5h	230V-48V 45A	450 kg	6-7 h endless	7h	48V 12 kW
ECO	DC+AC		48V 270 A/h 5h	230V-48V 45A	400 kg	6-7 h endless	7h	48V 9 kW
HYBRID	Diesel+DC		24V 240 A/h 5h	230V-24V 35A	200 kg	2-3 h endless	7h	24VD 3 kW

Characteristics and technical data are informative only and subjected to change without notice.

**Palazzani**  
INDUSTRIE

Palazzani Industrie S.p.A.  
Via del Pavione, 4  
25050 - Paderno F.C. (BS) - Italy  
Tel. (+39) 0306857073 Fax (+39) 030657079  
platforms@palazzani.it  
www.palazzani.it

COMPANY WITH  
QUALITY SYSTEM  
CERTIFIED BY DNV GL  
= ISO 9001 =