

## CX12 S2 1150X520

SMALL SIZE, GREAT MANOEUVRABILITY



### CX12

The CX12 electric pallet truck is suitable for carrying loads on smooth or paved surfaces. Its small size and turning radius make it the ideal tool to work with in confined spaces, such as lorries or narrow aisles.



### MANOEUVRABILITY

Thanks to the width B1, equal to the fork gauge, and the L2 measure of 360 mm, the CX12 electronic pallet truck is the ideal tool for handling pallets on lorries, in supermarket corridors and in any application where space is limited. In its category, this machine is therefore the best configuration in terms of frame width, weight and turning radius, guaranteeing great maneuverability and compactness.



## STEERING WHEEL AND CONTROLS

- Ergonomic tiller
- Luminous indicator for battery state control.
- Butterfly valves for traction control.
- Safety pushbutton with warning buzzer.
- Forks way up/down control positioned on both sides of the handle (only on CX14).
- Hour counter in the Plus and Gel versions (only on CX14).
- “Tortoise” pushbutton for slow motion, which allows for the carrying out of operations with the tiller in vertical position.



## ROLLERS

Standard configuration provided with single polyurethane rollers. Available tandem rollers as optional.



## Description

1.1 Manufacturer			LIFTER
Lift			ELECTRIC
1.3 Drive			ELECTRIC
1.4 Operator type			Pedestrian
1.5 Load capacity	Q	kg	1200
1.6 Load centre distance	c	mm	600
1.8 Load axle to end forks	x	mm	886
1.9 Wheel base	y	mm	1119

## Weights

2.1 Service weight (battery included)		kg	155
2.2 Axle load, laden rear		kg	924
2.2 Axle load, laden front		kg	431
2.3 Axle load, unladen front		kg	124
2.3 Axle load, unladen rear		kg	31

## Tyres/Chassis

3.1 Tyres: front wheels			RUBBER
3.1 Tyres: stabilizers wheels - front			POLY.I.
3.1 Tyres: rear wheels			NYLON
3.2 Tyre size: Steering wheels - Width		mm	50
3.2 Tyre size: Steering wheels - Diameter		mm	186
3.3 Tyre size: Load rollers - Diameter		mm	82
3.3 Tyre size: Load rollers - Width		mm	82
3.4 Tyre size: stabilizers wheels front - Diameter		mm	75
3.4 Tyre size: stabilizers wheels front - Width		mm	32
3.5 Tyre size: rear wheels - Q.ty (X=driven)		nr	2
3.5 Tyre size: front wheels - Q.ty (X=driven)		nr	1x
3.6 Tread, front	b10	mm	369
3.7 Tread, rear	b11	mm	371

## Dimensions

4.4 Lift height	h3	mm	115
4.9 Height of tiller in drive position min	h14	mm	885
4.9 Height of tiller in drive position max	h14	mm	1345
4.15 Height, lowered	h13	mm	85
4.19 Overall length	l1	mm	1510
4.20 Length to face of forks	l2	mm	360
4.21 Overall width	b1/ b2	mm	520
4.22 Fork dimensions - Thickness	s	mm	55
4.22 Fork dimensions - Width	e	mm	150
4.22 Fork dimensions - Length	l	mm	1150
4.25 Distance between fork arms	b5	mm	520
4.32 Ground clearance, centre of wheelbase	m2	mm	30
4.34 Aisle width	Ast	mm	1782
4.35 Turning radius	Wa	mm	1268

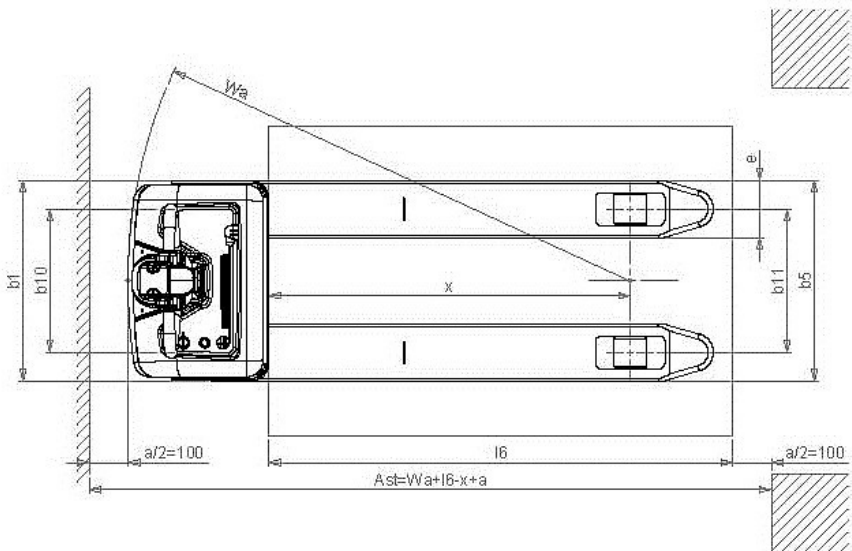
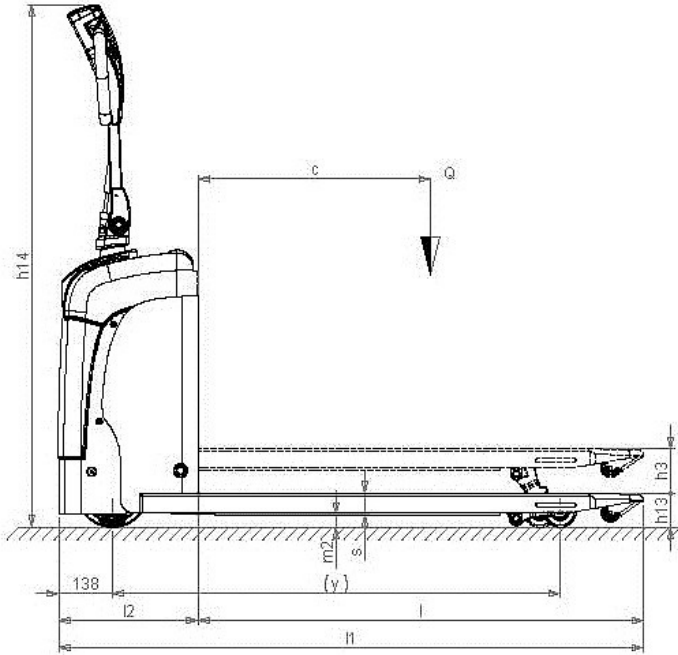
**Performance data**

5.1 Travel speed laden	km/h	4.3
5.1 Travel speed unladen	km/h	4.8
5.2 Lifting speed laden	m/s	0.03
5.2 Lifting speed unladen	m/s	0.04
5.3 Lowering speed laden	m/s	0.05
5.3 Lowering speed unladen	m/s	0.02
5.8 Max gradeability laden	%	10
5.8 Max gradeability unladen	%	25
5.10 Service brake		Electric

**Electric motors**

6.1 Drive motor power	kW	0.35
6.2 Lift motor power	kW	0.4
Battery Type	Type	AUTOMOTIVE
6.4 Battery voltage	V	24
6.4 Battery capacity, Min	Ah	60
6.4 Battery capacity, Max	Ah	60
6.5 Battery weight, Min	kg	25
6.5 Battery weight, Max	kg	40
6.6 Energy consumption according to VDI cycle	kWh/h	0.28
8.4 Sound level at driver's ear	dB(A)	67

\*Integrated battery and battery charger



The information is aligned with the Data file at the time of download. Printed on 24/08/2022 (ID 452)

©2022 | PR INDUSTRIAL s.r.l. | All rights reserved | Image shown may not reflect actual package. Specifications subject to change without notice

