

GS EVO GALV 25S4 1150X525

Galvanised hand pallet truck (2.500 kg)



GS EVO GALV

The GS EVO GALV hand pallet truck is designed to handle loads in humid and damp conditions.

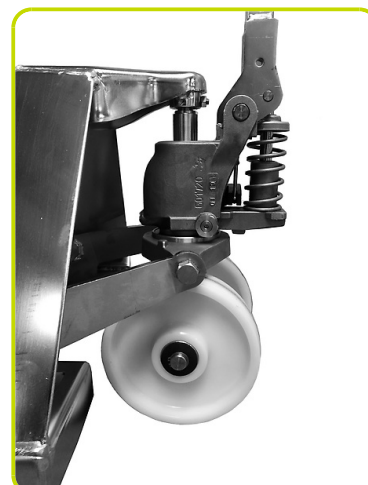
Suitable for environments where high hygienic standards are enforced, such as the chemical, pharmaceutical or food & beverage industry.

Very good resistance to corrosion, guaranteed thanks to the hot dip galvanizing process of the frame and the handle and geomet treatment on the rest of components.

HYDRAULIC UNIT

Resistant and reliable one piece cast iron pump with GEOMET® surface coating treatment to prevent rust pitting and corrosion damages. Designed with extreme care of details in order to have superior characteristics and features, it includes:

- **Monolithic design:** resistant and reliable one-piece housing to protect all components avoiding any accidental damages. Pump housing is processed with CNC machines to achieve high precision tolerances and high accuracy.
- **Chromed piston rod and oil seal:** in order to avoid rust and prevent oil leakage during the use.
- **Maximum pressure valve:** safety device that protects the transpallet against overloads.
- **PROPORTIONAL LOWERING VALVE:** lowering speed can be proportionally controlled according to the lever position on the tiller. Perfect working tool to carry fragile and delicate loads like crystal, glass and ceramics.



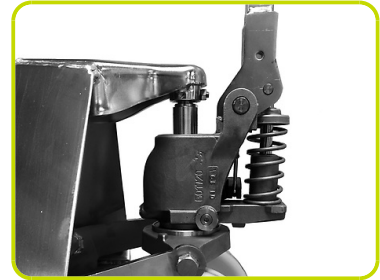
TILLER

3D Superior Ergonomic shape tiller, with enhanced ergonomics. Compared to a conventional tiller, this shape allows the operator to have a good position when pushing the loads with maximum efficiency without fatigue. This thanks to two large grasping side areas specifically designed to have a correct position during operation of the truck.



EASY TO MOUNT

Tiller easy to assemble with a fast mounting system. Robust tiller connection with two full welded joints that assure superior sturdiness in the toughest application.



Description

| | | | |
|----------------------------|---|----|------------|
| 1.1 Manufacturer | | | LIFTER |
| 1.3 Drive | | | Manual |
| 1.4 Operator type | | | Pedestrian |
| 1.5 Load capacity | Q | kg | 2500 |
| 1.6 Load centre distance | c | mm | 600 |
| 1.8 Load axle to end forks | x | mm | 932 |
| 1.9 Wheel base | y | mm | 1192 |

Weights

| | | | |
|------------------------------|--|----|------|
| 2.1 Service weight | | kg | 63 |
| 2.2 Axle load, laden rear | | kg | 1825 |
| 2.2 Axle load, laden front | | kg | 738 |
| 2.3 Axle load, unladen rear | | kg | 21 |
| 2.3 Axle load, unladen front | | kg | 42 |

Tyres/Chassis

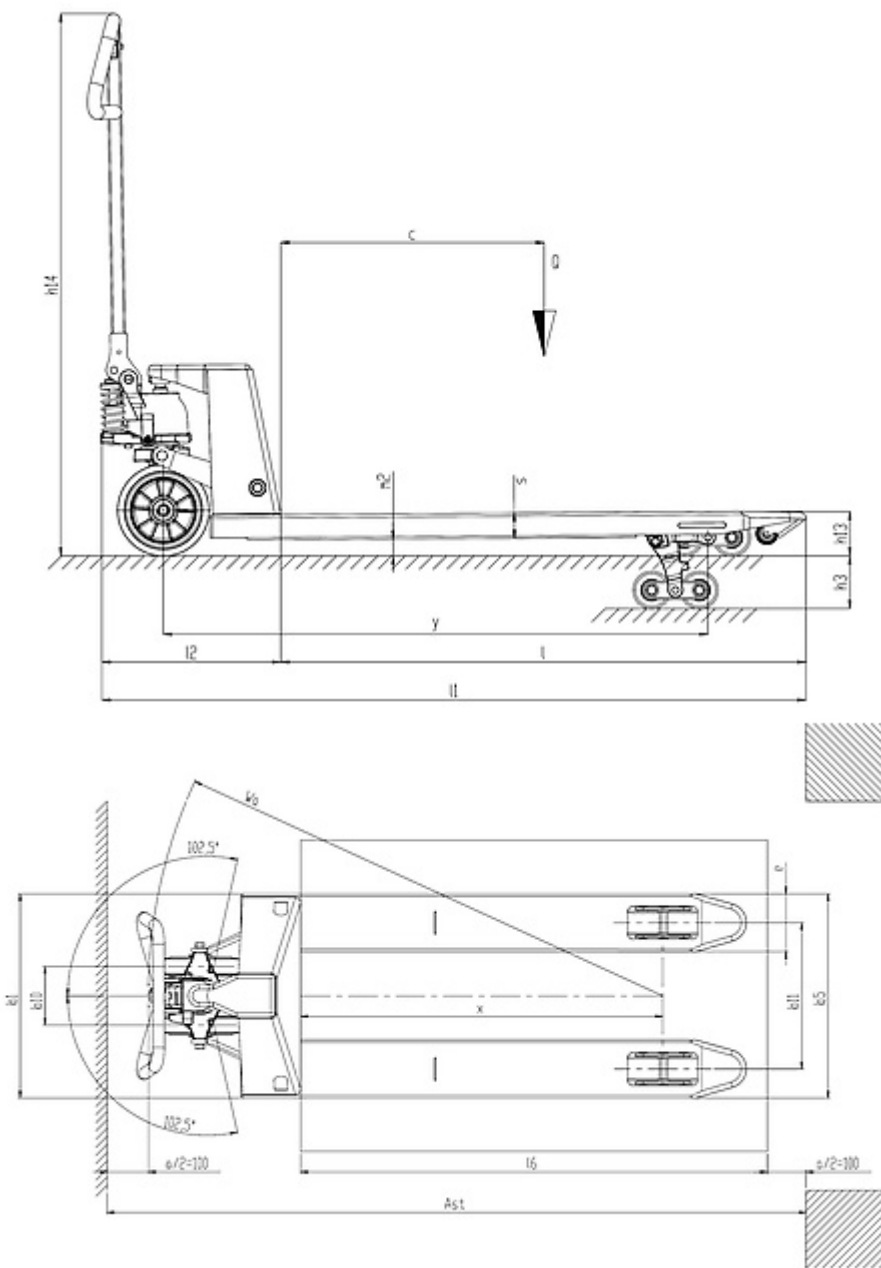
| | | | |
|--|-----|----|-------|
| 3.1 Tyres: front wheels | | | NYLON |
| 3.1 Tyres: rear wheels | | | NYLON |
| 3.2 Tyre size: Steering wheels - Diameter | | mm | 200 |
| 3.2 Tyre size: Steering wheels - Width | | mm | 50 |
| 3.3 Tyre size: Load rollers - Diameter | | mm | 82 |
| 3.3 Tyre size: Load rollers - Width | | mm | 60 |
| 3.5 Tyre size: rear wheels - Q.ty (X=driven) | | nr | 4 |
| 3.5 Rear balancing axle | | | No |
| 3.6 Tread, front | b10 | mm | 155 |
| 3.7 Tread, rear | b11 | mm | 375 |

Dimensions

| | | | |
|--|-----------|----|------|
| 4.4 Lift height | h3 | mm | 115 |
| 4.9 Height of tiller in drive position max | h14 | mm | 1185 |
| 4.9 Height of tiller in drive position min | h14 | mm | 710 |
| 4.15 Height, lowered | h13 | mm | 85 |
| 4.19 Overall length | l1 | mm | 1550 |
| 4.20 Length to face of forks | l2 | mm | 400 |
| 4.21 Overall width | b1/ b2 | mm | 525 |
| 4.22 Fork dimensions - Thickness | s | mm | 55 |
| 4.22 Fork dimensions - Width | e | mm | 150 |
| 4.22 Fork dimensions - Length | l | mm | 1150 |
| 4.25 Distance between fork arms | b5 | mm | 525 |
| 4.32 Ground clearance, centre of wheelbase | m2 | mm | 30 |
| 4.34 Aisle width | Ast | mm | 2048 |
| 4.35 Turning radius | Wa | mm | 1367 |

Performance data

| | | | |
|---------------------------|--|---------|----|
| 5.2 Lifting speed laden | | strokes | 12 |
| 5.2 Lifting speed unladen | | strokes | 12 |



The information is aligned with the Data file at the time of download. Printed on 27/08/2022 (ID 12774)

©2022 | PR INDUSTRIAL s.r.l. | All rights reserved | Image shown may not reflect actual package. Specifications subject to change without notice

