

Telehandlers
Stacking height
up to 6 meters



**WACKER
NEUSON**
all it takes!



These reasons speak for telehandlers from Wacker Neuson.

1. Quality that you can count on.

Telehandlers with very compact dimensions that convince in terms of payload: at Wacker Neuson, three models are available for you to choose from, which offer you just that. You are therefore certain to find the right machine for your specific requirements profile. Of course, all our telehandlers are characterized by sophisticated technology and a high level of operator friendliness.

2. Trimmed for economic efficiency.

Low consumption, low emissions, powerful hydraulics, quick work – with our telehandlers you have the best partner at your side. With intelligent assist systems, such as the Vertical Lift System (VLS), you also work exceptionally safely.

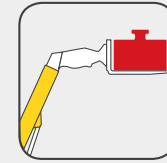
3. Versatile options.

Thanks to a variety of attachments, the performance of Wacker Neuson telehandlers extends far beyond traditional transport work: our machines therefore prove themselves when working in the warehouse, as well as in hard winter service. Whether in stacking or bucket mode, you can rely on the sturdy technology.

Wacker Neuson – all it takes!

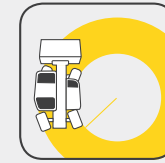
We offer products and services rendered that meet your high requirements and diverse applications. Wacker Neuson stands for reliability. This of course also applies to our telehandlers. We do our best every day to ensure your success. And we do this full of passion for our jobs.

Telehandler expertise that creates benefits.



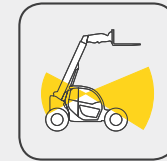
High payloads

Our telehandlers are designed for performance. This enables you to achieve a quick and high level of materials handling for any application.



Small turning radius, great performance

With the very maneuverable telehandlers, you can turn in the smallest area and therefore even maneuver ideally on tight construction sites.



Better view, more safety

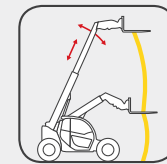
You benefit from improved handling and maximum safety, thanks to an optimal view of the attachment and work environment.



EQUIPCARE

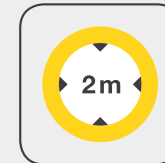
Telehandlers always at the forefront

EquipCare connects you with your machines and provides you with transparency in fleet management. With regards to maintenance requirements or malfunctions for instance, the machine itself will notify you. It does this in real time to your cell phone or your PC.



Work safer than ever

The Vertical Lift System (VLS) switches intelligently into the telescoping movement and moves the load in an almost vertical line.



Easy to maneuver

Dimensions of height and width under 2 meters qualify the models TH412, TH522 and TH627 for working in buildings and in tight spaces.

Overview of all telehandlers.



TH412

Max. stacking height: 4,301 mm
Max. payload: 1,250 kg
> Page 04

TH522

5,156 mm
2,200 kg
> Page 08

TH627

5,790 mm
2,700 kg
> Page 12

Year-round application: this is made possible for you with many different attachments.





Optimized ratio of lift height, dimensions and machine performance

Electronically regulated drive system with different driving modes for highest efficiency and flexibility

Comfort cabin with generous space, optimized overview and good ergonomics

Compact and powerful: the telehandler TH412.

	TH412
Max. payload (kg)	1,250
Max. stacking height (m)	4.30
Engine output (kW)	18.4 / 33.3*
Operating weight (kg)	2,750–2,900

* optional

Powerful engines of emission standard stage V: 18.4 kW (25 hp) as standard and optional for more power 33.3 kW (45.3 hp) with DOC + DPF

Less than 2 m overall height – ideal for low passages such as underground garages

Speed increase to 30 km/h optionally possible

Compact machine with high maneuverability and transportable on a car trailer

Electronically regulated drive system with different driving modes for the highest efficiency and flexibility

High flow performance hydraulics raise the discharge volume to 70 l/min for the use of a great variety of attachments (optional)

VLS (Vertical Lift System) for higher productivity and protection

LED lighting (optional): optimum illumination thanks to LED work lights in front and rear

Ergonomic comfort cabin with optimized overview

Three types of steering for maximum flexibility: all-wheel steering, front wheel steering, crab steering

100% differential lock – switch on for maximum traction and pushing power, switch off for low tire wear



Flexibility and efficiency.

Efficient electronically regulated drive system with different driving modes. Included as standard:

- ✓ In **auto mode**, the machine makes 100% performance available
- ✓ **ECO mode** optimizes the engine speed for the greatest possible fuel savings and noise reduction

A further driving mode can be optionally selected:

- ✓ In **attachment mode**, the performance of the attachment is kept constant even with changing loads
- ✓ In **M-Drive mode**, the engine speed can be preset and the travel speed regulated with the drive pedal



Good ergonomics and comfort.

The cabin is impressive with its generous space, optimum overview and perfect ergonomics. The arrangement of the cabin elements is consistent with a modern operating philosophy, for efficient and fatigue-free working. Features such as the armrest with integrated stowage compartment, sun blind, an optimized heater and ventilation and the optional air-conditioning system additionally ensure an extraordinary high level of comfort.



Efficient lifting and lowering.

Work efficiently with complete safety – with the Vertical Lift System (VLS) operator assistance system, you will master this challenge with ease. The smooth and rapid lifting and lowering of the telescopic arm with its simultaneous semi-automatic telescopic movement allows even less-experienced operators to operate based on fluid working principles. The almost vertical lifting and lowering movement also makes the telehandlers very stable since the load does not reach the overload range.



With its powerful high flow hydraulics (up to 100 l/min) and 5.47 m lift height, the TH522 is the multitool for a wide range of applications

Numerous options for the individual configuration of the machine, depending on the intended use

Unique operator assistance system VLS (Vertical Lift System) ensures safety and operator comfort

Ready to do it all: the telehandler TH522.

	TH522
Max. payload (kg)	2,200
Max. stacking height (m)	5.16
Engine output (kW)	45
Operating weight (kg)	4,200

Versatile device carrier thanks to large selection of attachments and tires

Vertical Lift System (VLS) increases safety and operating comfort

Optional high flow performance hydraulics with 100 l/min flow volume for demanding attachments

Air-conditioning system (optional) increases working comfort and efficiency on hot days

Three types of steering for maximum flexibility: all-wheel steering, front wheel steering, crab steering

Optional cabin height raise for even better visibility of the working area

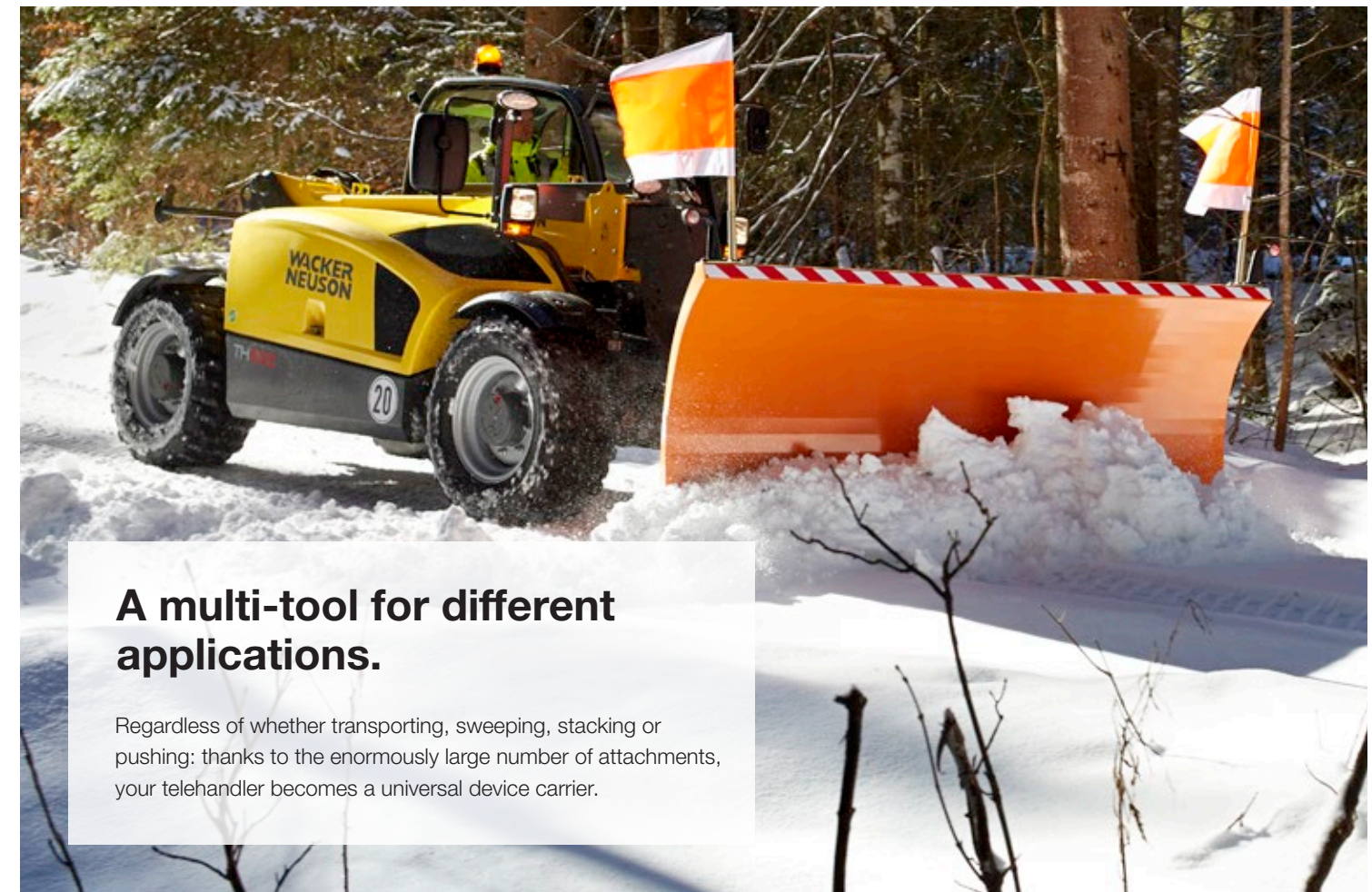
Comprehensive, robust standard equipment with individual configuration options, e.g. for engine and hydraulics



Speed increase to 30 km/h optionally possible

100% differential lock for maximum traction and thrusting force, can be switched off to spare tires

LED work light for best visibility even in the dark (optional)



A multi-tool for different applications.

Regardless of whether transporting, sweeping, stacking or pushing: thanks to the enormously large number of attachments, your telehandler becomes a universal device carrier.

Excellent all-round visibility.

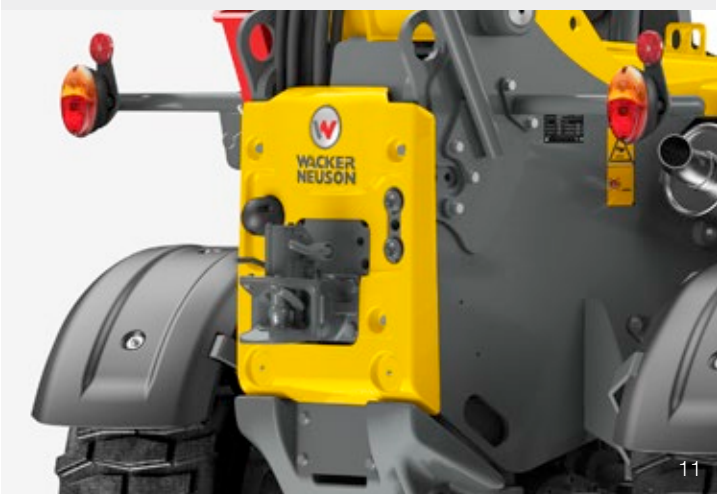
The TH522 cabin provides an excellent overview of the attachment, the immediate working area, and the entire machine surroundings. The deep side window on the right and the high seat position combined with the sloping engine hood ensure optimum visibility. This increases safety in the entire working area of the machine.

For even better overview, there is an optional cabin height raise by 200 mm for TH522. Thanks to the wide front and roof window, there is always an upward view of the attachment. This is particularly important when working effectively and safely at height with the telehandler.



Suitable for trailer operation.

Various trailer hitches are available optionally: a simple self-rescue coupling, an automatic trailer hitch and the ball-shaped K50 trailer hitch. This allows you to move trailers of up to 8 t. (Availability varies depending on the country; for more information, please contact your local Wacker Neuson distributor.)





Compact dimensions enable efficient working in confined environments such as underground garages

Low fuel consumption and high torque with a Kohler engine (emissions standard V)

Work hydraulics with combined movement sequences due to the load-independent flow distribution (LUDV)

Concentrated efficiency: the telehandler TH627.

	TH627
Max. payload (kg)	2,700
Max. stacking height (m)	5.79
Engine output (kW)	55
Operating weight (kg)	4,200–5,000



VLS (Vertical Lift System)
for higher productivity and
overload protection

Massive quickhitch plate
as in wheel loaders

Work hydraulics with LUDV
for sensitive, combined
movement sequences

Numerous options such
as three-point connection
in the rear, pressureless
return flow with overflow oil
connection etc.

Compact dimensions:
vehicle width and height
less than 2 m

Powerful engine by Kohler
with 55.4 kW (75 hp) and
exhaust emissions stage V
(DOC + DPF)

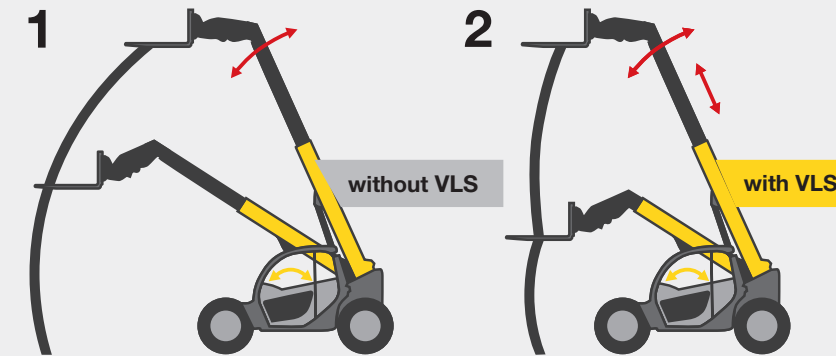
Three types of steering
(standard): all-wheel steering,
front axle steering, crab steering

Two vehicle heights
available (1.98 m / 2.10 m)
for better all-round visibility

Wide range of tire
options up to 20"

Operator assistance system VLS.

Maximum payload, fully extended loading system, engine speed as far as it will go? No problem with the Vertical Lift System! The intelligent operator assistance system prevents loads from entering into the overload range - thus preventing the machine from tipping over.



1 Conventional systems (without VLS)

The machines can reach the tipping limit when simply lowering.

2 Driver assistance system VLS

Nearly vertical movement. The load's center of gravity remains even.

— Operating input
— Response of the loading system

Three steering modes.

Whether on the street or in tight driving maneuvers: the telehandlers from Wacker Neuson show what they can do in every application and, thanks to three different types of steering, make moving material a breeze.



All-wheel steering:
particularly maneuverable due
to 2x38° steering angle.



Front axle steering:
regular driving behavior, even when
driving quickly on roads.



Crab steering:
ideal for parallel travels and maneuvers in
confined spaces, e.g. when clearing out
halls.

Raised cabin for optimized all-round visibility:

low-set cabin is ideal for low clearance heights; raised cabins offer better all-round visibility (TH522, TH627).



Many add-on options available ex work:

- Automatic bucket return
- 20 inch tires possible
- 30-km/h high speed
- Pressure release of 3rd control circuit
- Front window protective grating
- Fully automatic central lubrication system

Attachments (selection).



Learn more about our attachments here:
www.wackerneuson.com/attachments

Hydraulic equipment change directly from the operator's seat.



For all telehandlers from Wacker Neuson, many other carriers are possible in addition to your own attachment carriers. Thus, you can use different attachments. For more information, contact your Wacker Neuson dealer.

Tires and treads.

The right telehandler tires play an important role in specific applications. Everything runs perfectly if the tires are optimally matched to the ground surface and application area. The exact specifications and availabilities of tires differ depending on the model and country. Your Wacker Neuson partner is happy to help you.

	TH412	TH522	TH627
TIRES			
10-16.5 EM ET-40	●	-	-
10-16.5 Sure Trax ET-40 BKT	●	-	-
10.0/75-15.3 AS ET-40 Starco	●	-	-
31x13.50-15 RP ET0	●	-	-
31x15.50-15 AS ET0 Mitas	●	-	-
31x15.50-15 AS ET0 Starco	●	-	-
260/70 R16.5 ET-60 Michelin BIBSTEEL	●	-	-
315/55 R16 ET-20 Continental MPT81	●	-	-
10.5/80-18 AS ET0	-	●	-
12.0/75-18 MPT ET0	-	●	-
15.5/55 R 18 EM ET50	-	●	-
325/70 R 18 AS ET0	-	●	-
425/50-18 AS ET36	-	●	-
10-16.5 12PR	-	-	●
33x12-20 156A5 BEEFY BABY SDS	-	-	●
340/80-18 135B MPT01	-	-	●
340/80-18 134D MPT-04 12PR	-	-	●
340/80-18 134D MPT-04 12PRag	-	-	●
340/80-20 136B MPT01	-	-	●
400/70 R20 IND Multiuse 550	-	-	●
400/70 R20 149 A8/B BIBLOAD	-	-	●
400/70 R20 XMCL 149 A8 149B	-	-	●
405/70-20 152B MPT01 16PR	-	-	●

● Available - Not available



RP tread



AS tread



EM tread



MPT tread



Multi-use tread



Bibload tread



Bibsteel tread

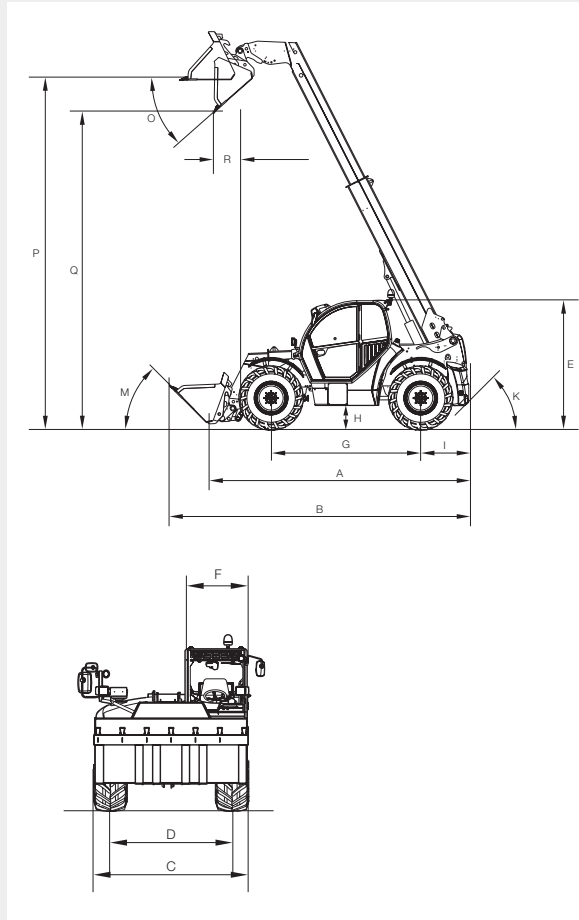


SureTrax tread

Dimensions

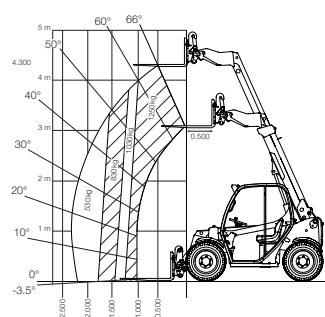
TELEHANDLERS

			TH412	TH522	TH627
DIMENSIONS		UNIT			
A	Length, including attachment frame	mm	2,977	3,747	4,400
B	Length with standard bucket	mm	3,944	4,576	5,000
C	Width with standard tires	mm	1,564	1,808	1,960
D	Track width	mm	1,235	1,530	1,650
E	Height to the cab roof	mm	1,995	1,950 (2,105 optional)	1,985 (2,105 optional)
F	Width of the cabin	mm	702	785	825
G	Wheel base	mm	1,922	2,449	2,650
H	Ground clearance	mm	294	256	300
I	Distance from center of rear wheel to the rear end	mm	427	472	620
K	Rear approach angle	°	32	90	76
M	Loading angle (bucket)	°	44	41	45
O	Dumping angle (bucket)	°	36	34.5	22 (40 optional)
P	Overhead loading height with standard bucket	mm	4,163	5,056	5,570
Q	Dumping height	mm	3,566	4,520	5,005
R	Dump reach with standard bucket	mm	476	293	680

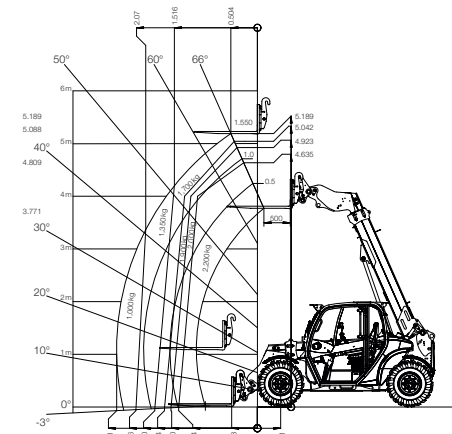


Payload diagram

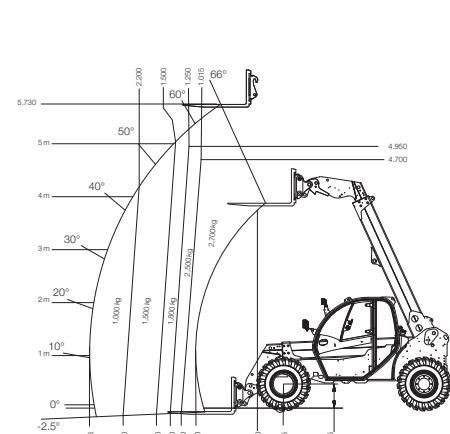
TH412



TH522



TH627



Technical data

TELEHANDLERS

		TH412	TH522	TH627
OPERATIONAL DATA		UNIT		
Max. payload (LSP* 500 mm)	kg	1,250	2,200	2,700
Max. stacking height	mm	4,301	5,156	5,790
Operating weight	kg	2,750 (2,900)	4,200	4,200 (5,000)
Turning radius over tires	mm	2,695	3,281	3,670
ENGINE		UNIT		
Manufacturer	-	Yanmar	Perkins	Kohler
Performance	kW/hp	18.4/25 (33.3/45 optional)	45/61	55/74
Displacement	cm ³	1,266 (1,568)	2,200	2,482
Exhaust emissions stage	-	V	V	V
Noise emissions at the operator's ear	dB (A)	85	82	72
Exhaust after-treatment	-	DOC + DPF	DOC + DPF	DOC + DPF
POWER TRANSMISSION		UNIT		
Drive system	-	Hydrostatic via universal joint shaft, electr. regulated	Hydrostatic via universal joint shaft	Hydrostatic via universal joint shaft
Speed	km/h	0-20 (30 optional)	0-20 (30 optional)	0-20 (30 optional)
Axles	-	Planetary-steering drive axle	Planetary-steering drive axle	Planetary-steering drive axle
Total swing angle	°	14	16	20
WORK HYDRAULICS		UNIT		
Work pump	-	Gear pump	Gear pump	Gear pump
Discharge volume	l/min	28.6 (41.6-70 optional)	70	89
Pressure	Bar	220	225	260
KINEMATICS		UNIT		
Bucket capacity	m ³	0.45	0.71	0.85
Total swing angle of attachment carrier	°	148	144	132 (150 optional)
Payload at max. stacking height	kg	1,250	1,700	1,800
Payload at max. reach	kg	530	1,000	1,000
Stacking height at max. load	mm	4,301	4,635	4,700
Reach at maximum load	mm	1,040	1,442	1,400
Max. reach	mm	2,290	2,671	3,156
FILLING LEVELS		UNIT		
Fuel tank	l	33	70	95
Hydraulic oil tank	l	36	55	100

* Peak load

The data shown refer to the standard equipment. Data may vary depending on selection of further options. Errors and omissions are reserved.

We retain the right to make changes without prior notice. No liability is assumed for the accuracy of this information. The provisions of the contractual agreement are binding.

The product range of Wacker Neuson includes over 300 different product groups with different versions – resulting from different voltage and frequency conditions, local regulations, market conditions and application conditions. Not all Wacker Neuson products listed or shown here can therefore be delivered or approved in all countries. Changes are reserved in the interest of continuous product development. Wacker Neuson accepts no liability for the accuracy and completeness of the information in this brochure. Reproduction only with the written approval of Wacker Neuson.

© Wacker Neuson Vertrieb Europa GmbH & Co.KG.

All rights reserved.

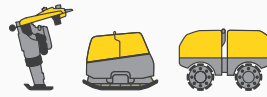
Your everyday work day is full of challenges. We have the right solutions and help you to be ahead of the competition.

We offer you everything you need for this purpose: **Wacker Neuson – all it takes!**

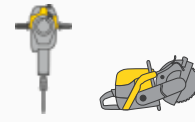
Products



Concrete technology



Compaction



Demolition technology



Excavators



Wheel loaders



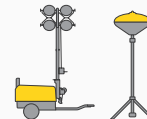
Telehandlers



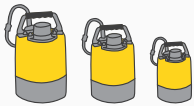
Dumpers



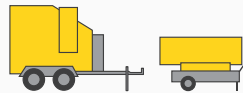
Generators



Lighting



Pumps



Heaters



Used equipment

Services



Financial solutions

Uncomplicated, transparent and individual financing options for you.



Repair & maintenance

Excellent and fast maintenance. Repairs with original spare parts.



Academy

We expand your know-how: practice-oriented and within an ideal learning environment.



EquipCare

Everything about the machines at a glance, via app or PC – EquipCare.



Rental

Protect your liquidity and rent top-maintained construction equipment as needed.



Concrete specialists

Our specialists advise you in all project stages.



eStore

Buy original spare parts online conveniently – for all Wacker Neuson product groups.



Spare parts

Every minute counts:

Within the shortest period of time, we deliver over 150,000 genuine Wacker Neuson spare parts to your construction site.

www.wackerneuson.com



WN.EMEA.10176.V03.EN-US