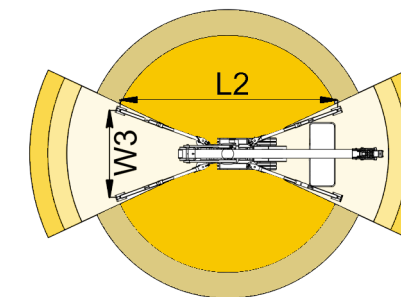
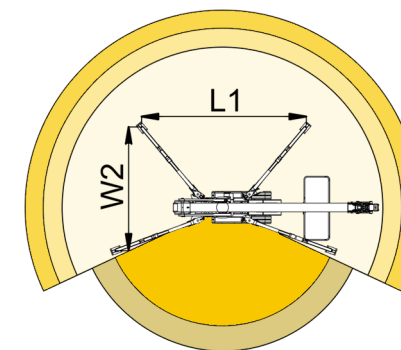
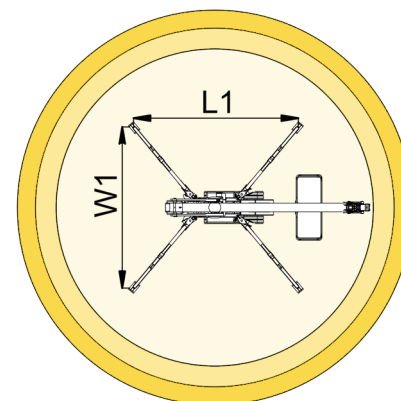
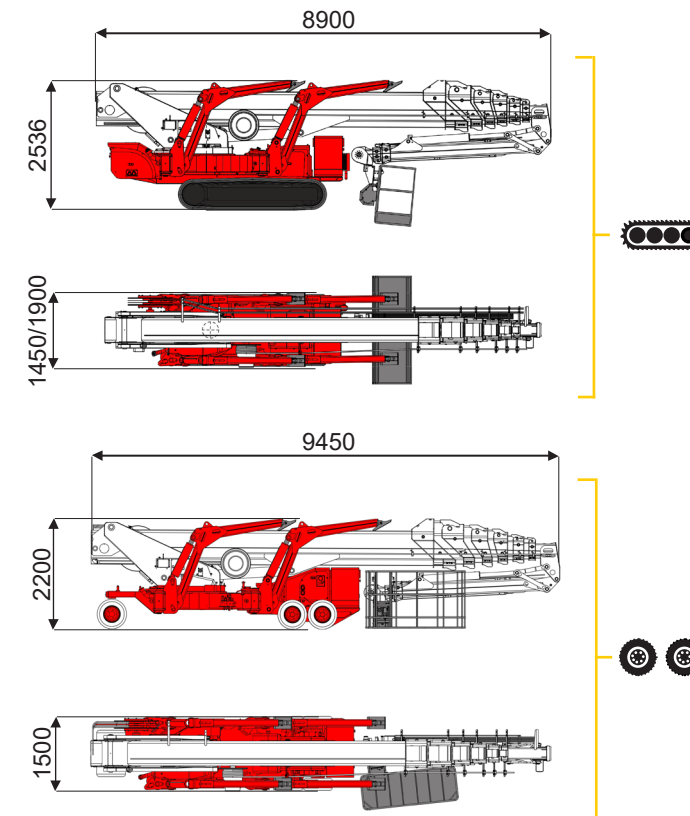
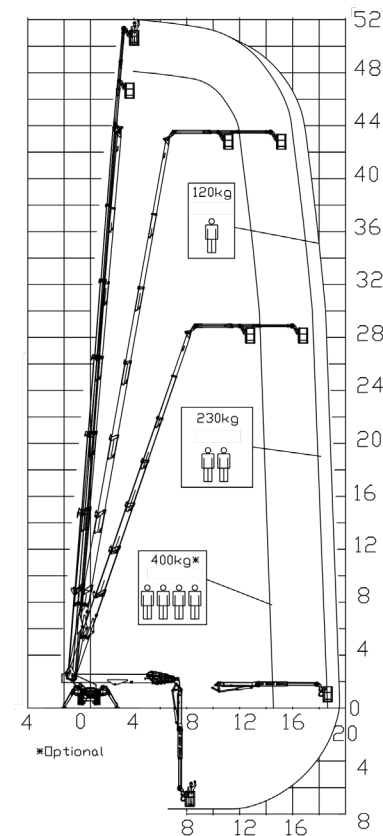




52 m ↑
19,5 m →
400 Kg* 👤👤👤



16,5 m	18,5 m	19,5 m	14,5 m	16,5 m	L1	L2	W1	W2	W3
400 kg*	230 kg	120 kg	400 kg*	120/230 kg	6460 mm	7190 mm	5170 mm	4655 mm	4130 mm

BI-ENERGY
Diesel+AC



XTJ 52+/C

🚧	52 m	19,5 m	400 kg*	170°	660°	240x70 cm	90°+80°	4,13-5,17 m	16%	42%	2 km/h	14980 kg	95 kN	4,46 kN/m ²	6,97 kN/m ²
---	------	--------	---------	------	------	-----------	---------	-------------	-----	-----	--------	----------	-------	------------------------	------------------------

XTJ 52+/R

🚧	52 m	19,5 m	400 kg*	170°	660°	240x70 cm	90°+80°	4,13-5,17 m	16%	21%	1,2 km/h	13000 kg	95 kN	3,89 kN/m ²	5,73 kN/m ²
---	------	--------	---------	------	------	-----------	---------	-------------	-----	-----	----------	----------	-------	------------------------	------------------------

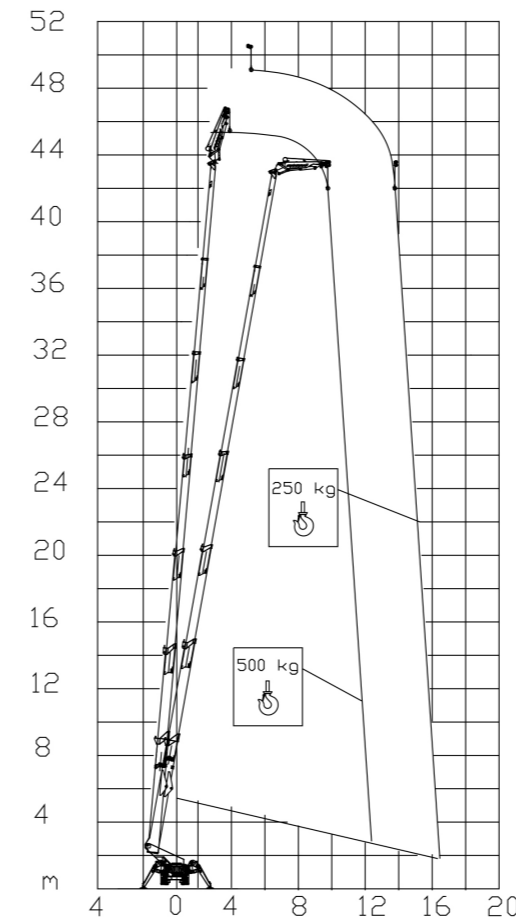
Available version:

- BI-ENERGY (DIESEL+AC)
- ECO (DC+AC)
- HYBRID (DIESEL+DC)

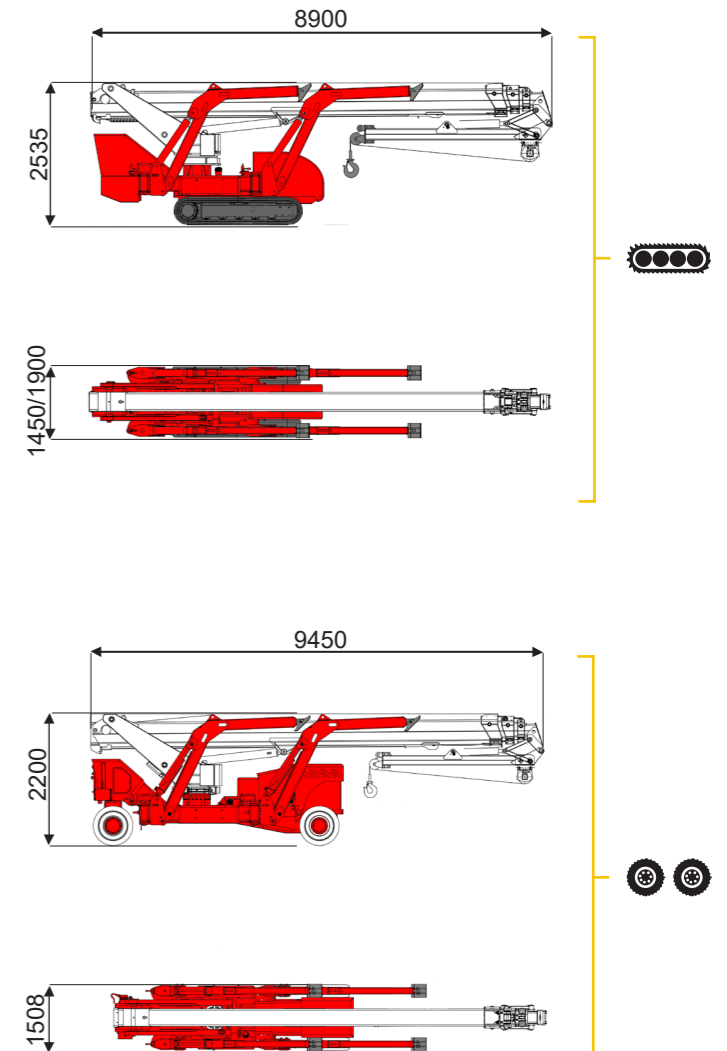
Characteristics and technical data are informative only and subjected to change without notice.



51 m ↑
16,5 m →
500 Kg ⚙️



12,5 m	16,5 m
500 kg	250 kg



BI-ENERGY
Diesel+AC



XTJ 52+/C		47 m	12,5 m	500 kg	660°	4,13-5,17 m	16%	42%	2 km/h	14980 kg	95 kN	4,49 kN/m ²	7,01 kN/m ²
XTJ 52+/R		51 m	16,5 m	500 kg	660°	4,13-5,17 m	16%	16%	1,2 km/h	13000 kg	95 kN	3,89 kN/m ²	5,73 kN/m ²

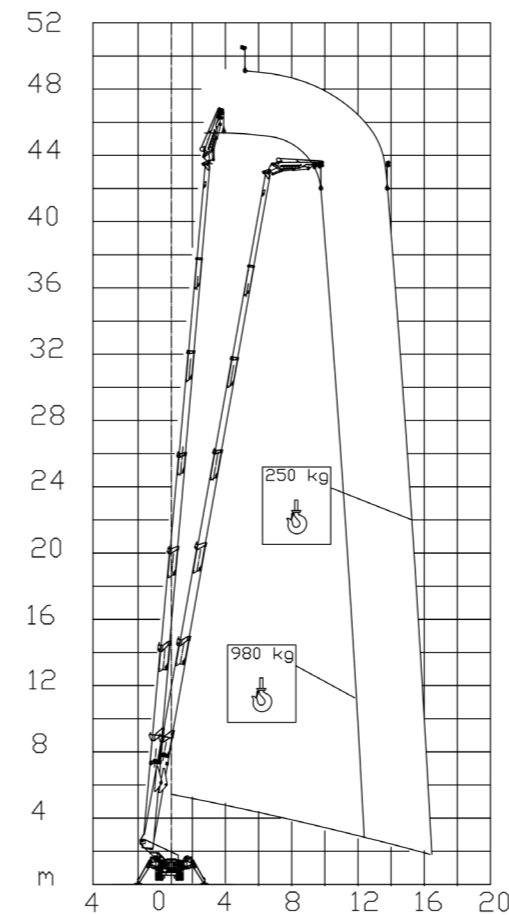
Available version:

BI-ENERGY (DIESEL+AC)
ECO (DC+AC)
HYBRID (DIESEL+DC)

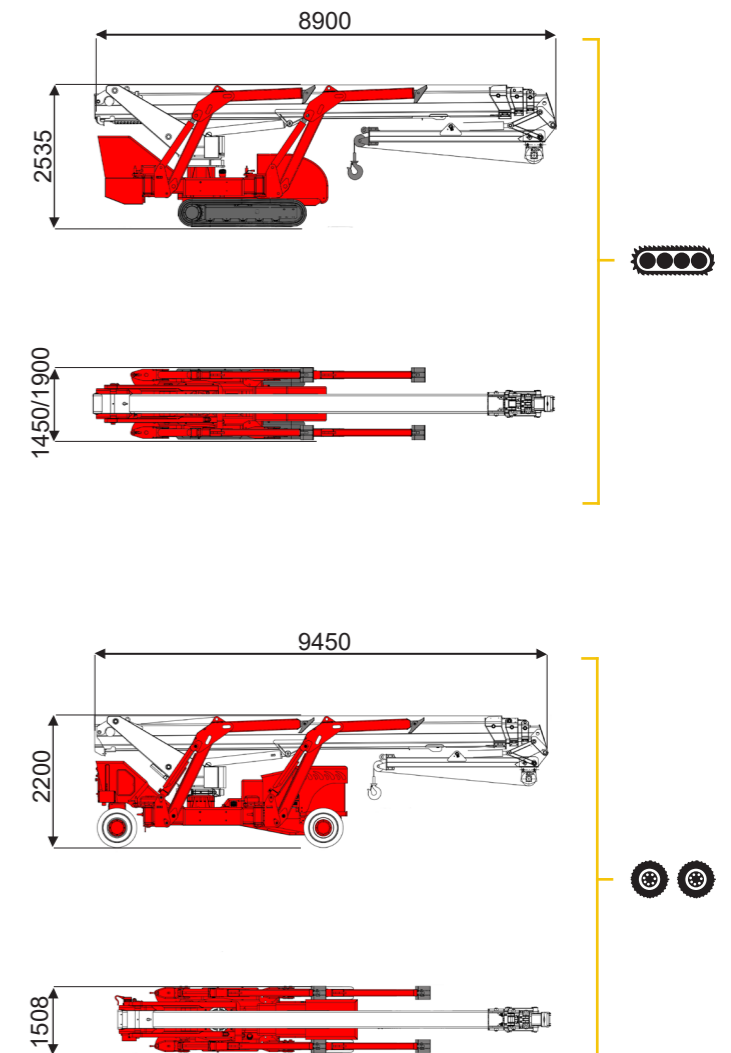
Characteristics and technical data are informative only and subjected to change without notice.



51 m ↑
16,5 m →
980 Kg ⚙️



12,5 m	16,5 m
980 kg	250 kg



BI-ENERGY
Diesel+AC



XTJ 52+/C



47 m

12,5 m

980 kg

660°

4,13-5,17 m

16%

42%

2 km/h

14980 kg

95 kN

4,49 kN/m²

7,01 kN/m²

XTJ 52+/R



51 m

16,5 m

980 kg

660°

4,13-5,17 m

16%

16%

1,2 km/h

13000 kg

95 kN

3,89 kN/m²

5,73 kN/m²

Available version:

BI-ENERGY (DIESEL+AC)

ECO (DC+AC)

HYBRID (DIESEL+DC)

Characteristics and technical data are informative only and subjected to change without notice.